



Ex marking: Ex de op is IIC T5 Gb
Ex op is tb IIIC T95°C Db, IP66



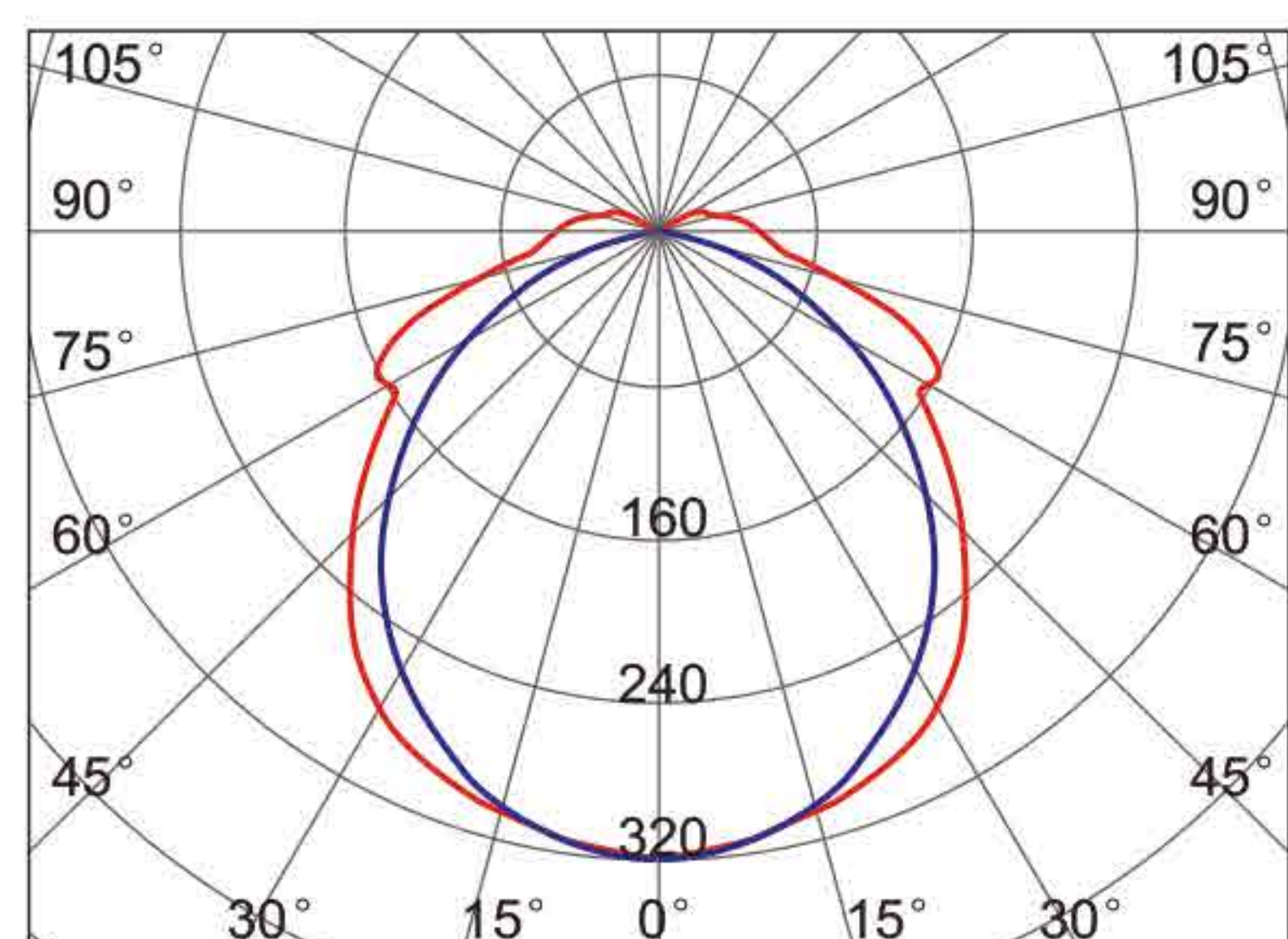
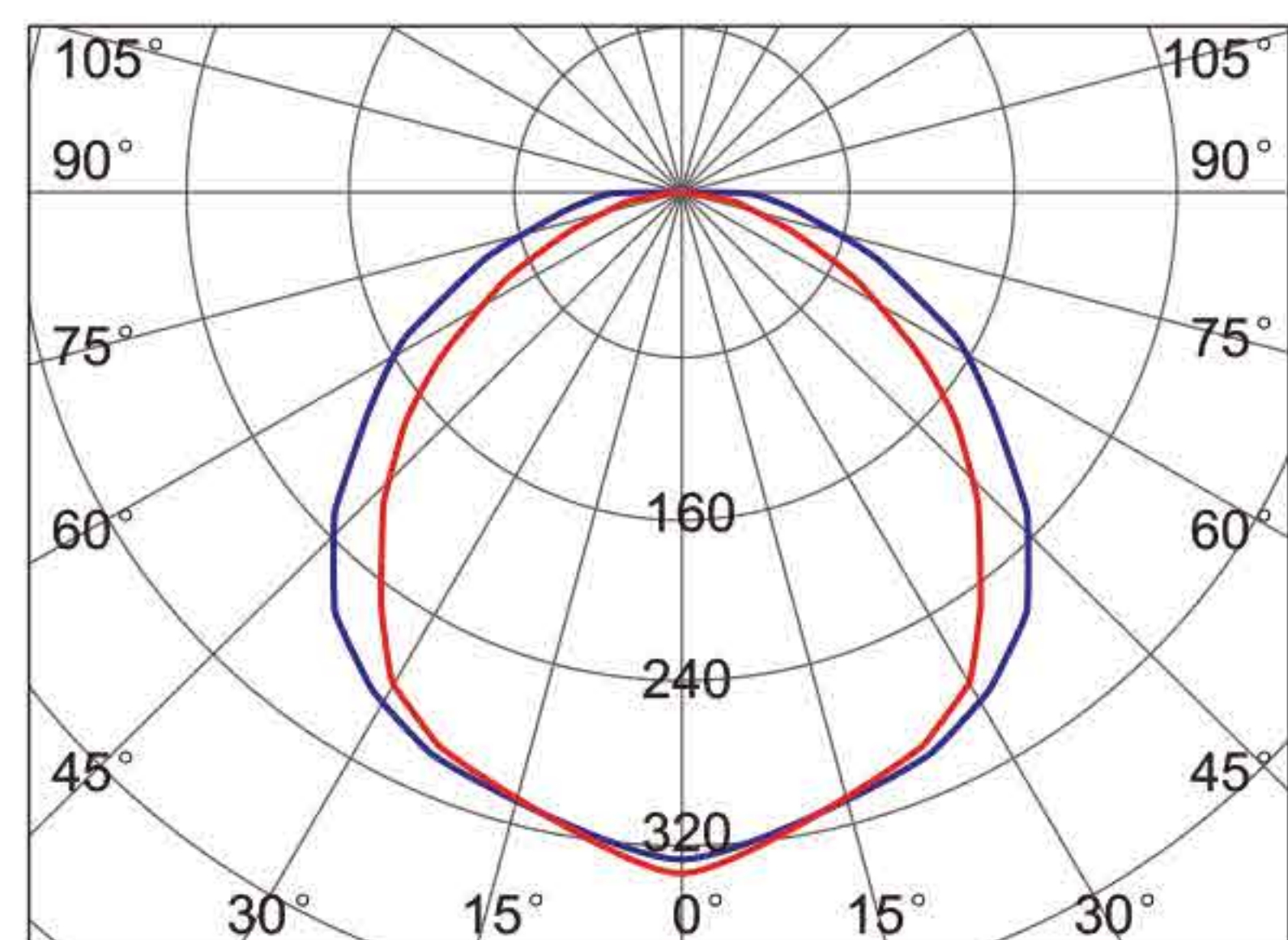
Application

- It can be widely used in petrochemical plants, oil platforms, oil pump housing, transit stations and other flammable and explosive places as fixed lighting.
- Gas explosive environment: Group IIA, IIB, IIC.
- Zone1, Zone2; Zone21, Zone22

Characteristics

- It is made using a special aluminum housing, suitable for long-term highly corrosive environment of offshore platforms, chlor-alkali, hydrogen sulfide, etc.
 - Derrick mounting fixture adopt high anti-corrosive aluminum and locking angle equipment, can be safely used in drilling platforms and high vibration environment.
 - The anti corrosion, abrasion proof, power coated cover which is dust proof, water proof, make the lamp an excellent high pressure environment
 - Bracket, reflector, guard, and all exposed fasteners adopt 304 stainless steel (customizable 316), can effectively guarantee the strength and strong anti-corrosion performance of lamp
 - Terminals are provided at both ends, can be directly wired in parallel, eliminating the junction box and installation costs.
- A variety of installation as optional: ceiling, oil derrick, the side walls, curved rods, boom, etc.

Light distribution curve



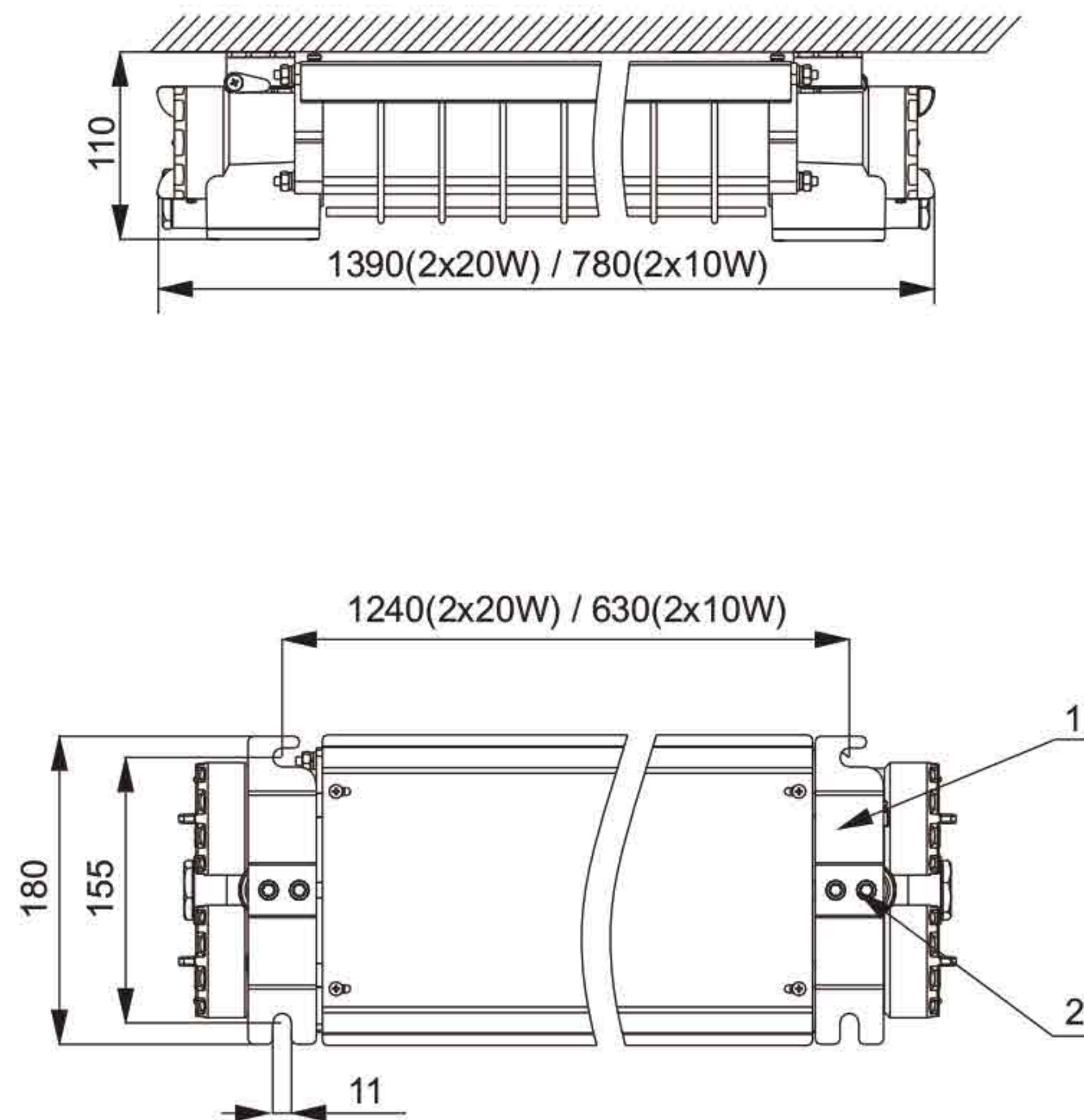
Main Specification

Item	Technical Parameters			
	2x20W(T8)	2x10W (T8)	2x28W (T5)	2x14W (T5)
Rated wattage (W)	2x20W(T8)	2x10W (T8)	2x28W (T5)	2x14W (T5)
Input voltage (V)	90~264VAC		220~240VAC, 110VAC	
Rated frequency	50Hz / 60Hz		50Hz / 60Hz	
Light source	LED		Fluorescent	
Light output (lm)	3600	1800	3400	1700
CRI (Ra)	80		70	
Life time (h)	50,000		8,000	
CCT	5000K		6500K	
Cable entry thread	M20x1.5, M25x1.5, NPT3/4", NPT1/2", G3/4"			
Terminals	Multi core: ≤2.5mm ²			
	Single core: ≤4mm ²			
Dimension (mm)	1390x180x110	780x180x110	1390x180x110	780x180x110
Net weight (kg)	10.7	6.6	10.7	6.6

BC5401 LED Explosion Proof Light

Drawing of dimension (Dimensions in mm)

Ceiling mounting



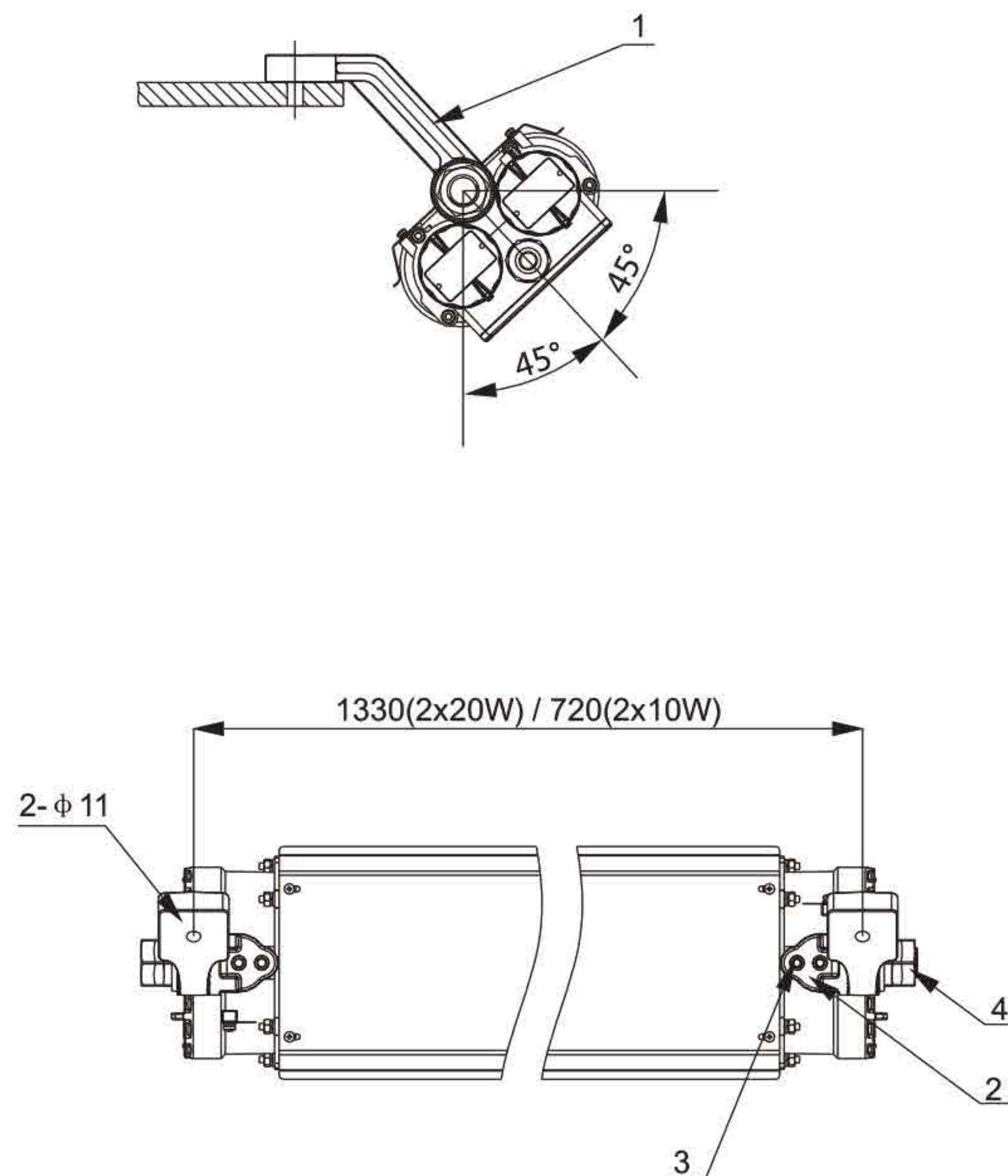
Lamps Ordering Information

Order No.	Mounting type	Lamp power	Equivalent to
			Fluorescent
BC5401-L20A	Ceiling	2 × 10W	2 × 20W
BC5401-L40A		2 × 20W	2 × 40W

Fitting Ordering Information (Standard)

Order No.	No.	Specifications Model	Quantity
P01	1	Ceiling Bracket	2
	2	M8 Inner six angle bolt	4

Derrick mounting



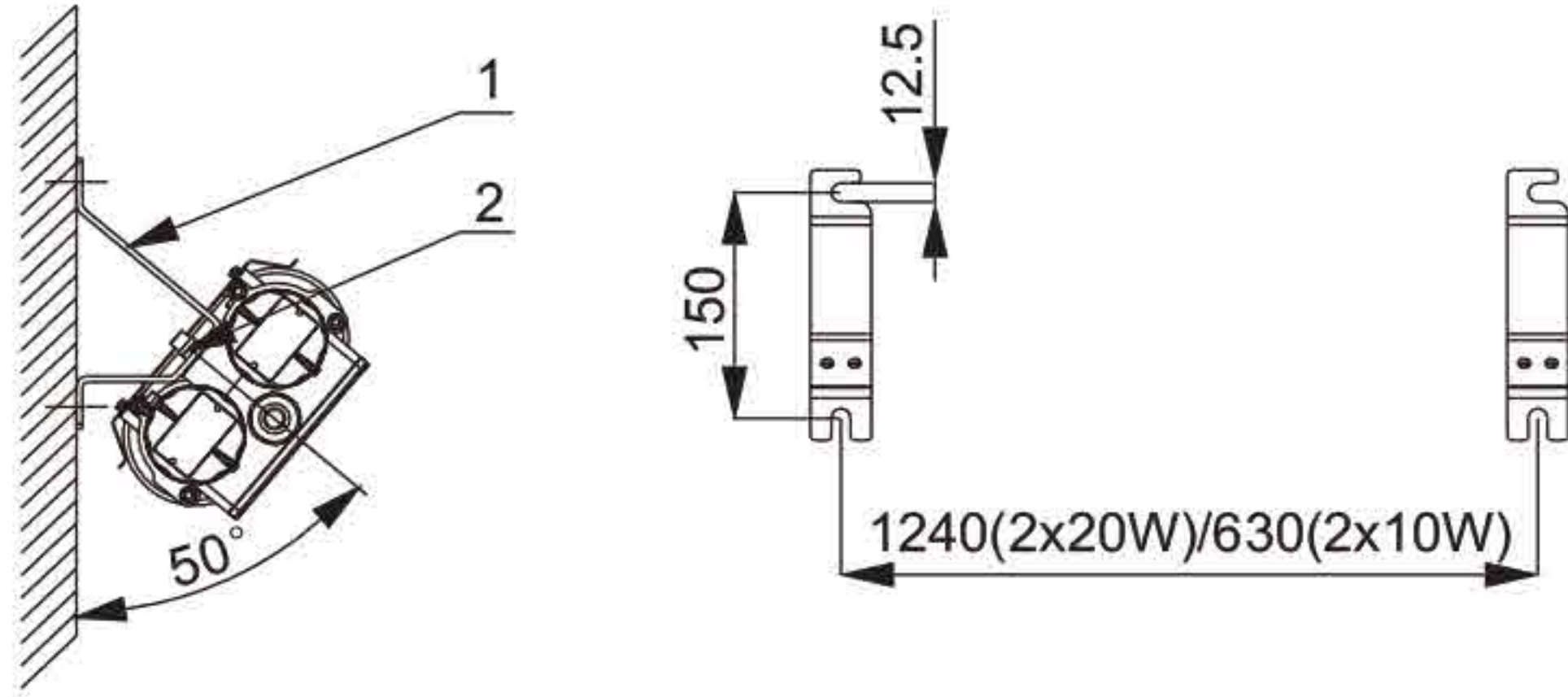
Lamps Ordering Information

Order No.	Mounting type	Lamp power	Equivalent to
			Fluorescent
BC5401-L20A	Derrick type	2 × 10W	2 × 20W
BC5401-L40A		2 × 20W	2 × 40W

Fitting Ordering Information(Optional)

Order No.	No.	Specifications Model	Quantity
P02	1	Derrick bracket	2
	2	Base	2
	3	M8 Inner six angle bolt	4
	4	M24 screw	2

Side wall mounting



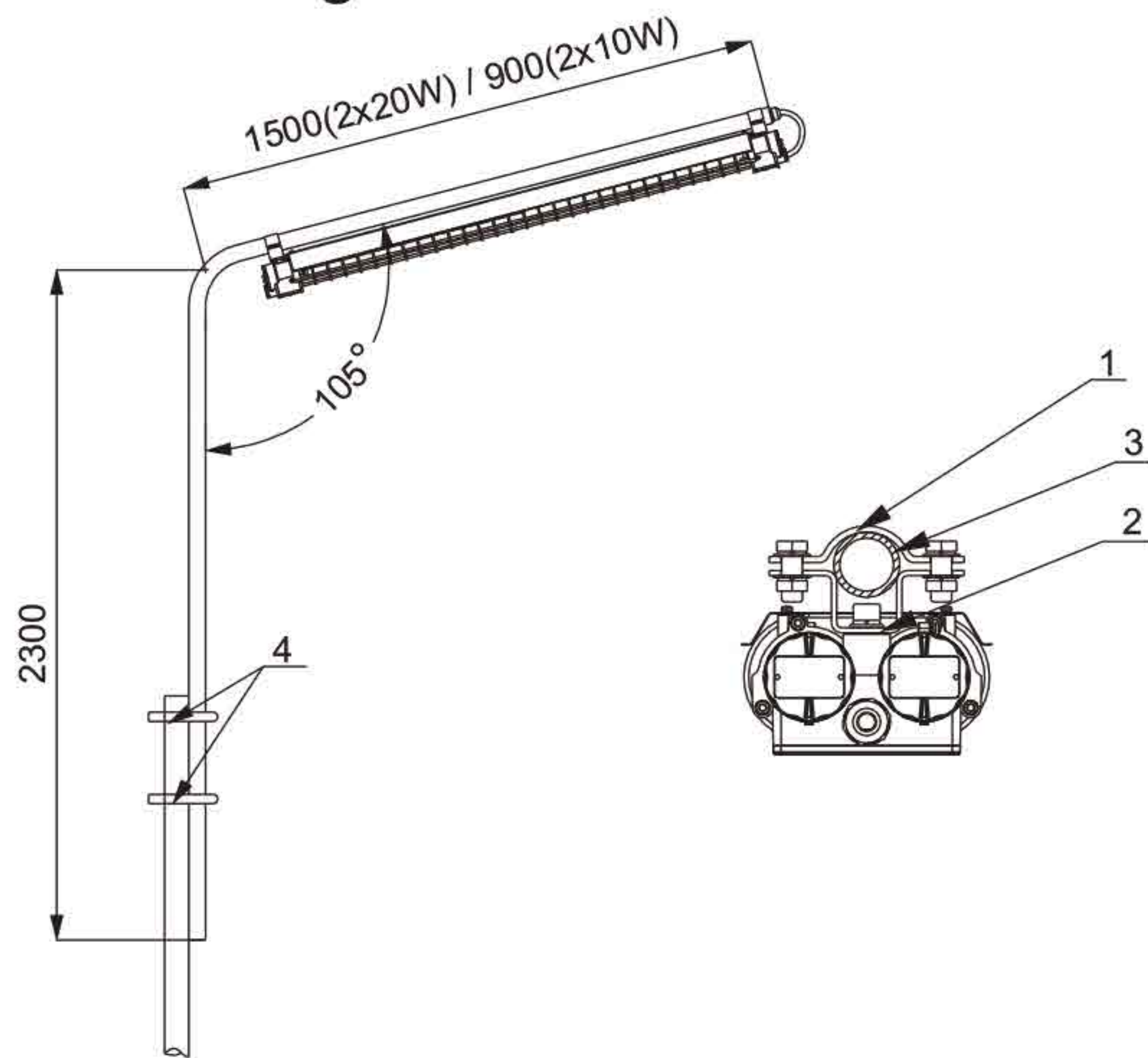
Lamps Ordering Information

Order No.	Mounting type	Lamp power	Equivalent to
			Fluorescent
BC5401-L20A	Side wall	2×10W	2×20W
BC5401-L40A		2×20W	2×40W

Fitting Ordering Information (Optional)

Order No.	No.	Specifications Model	Quantity
P03	1	Sidewall bracke	2
	2	M10 Inner six angle bolt	4

Pole mounting



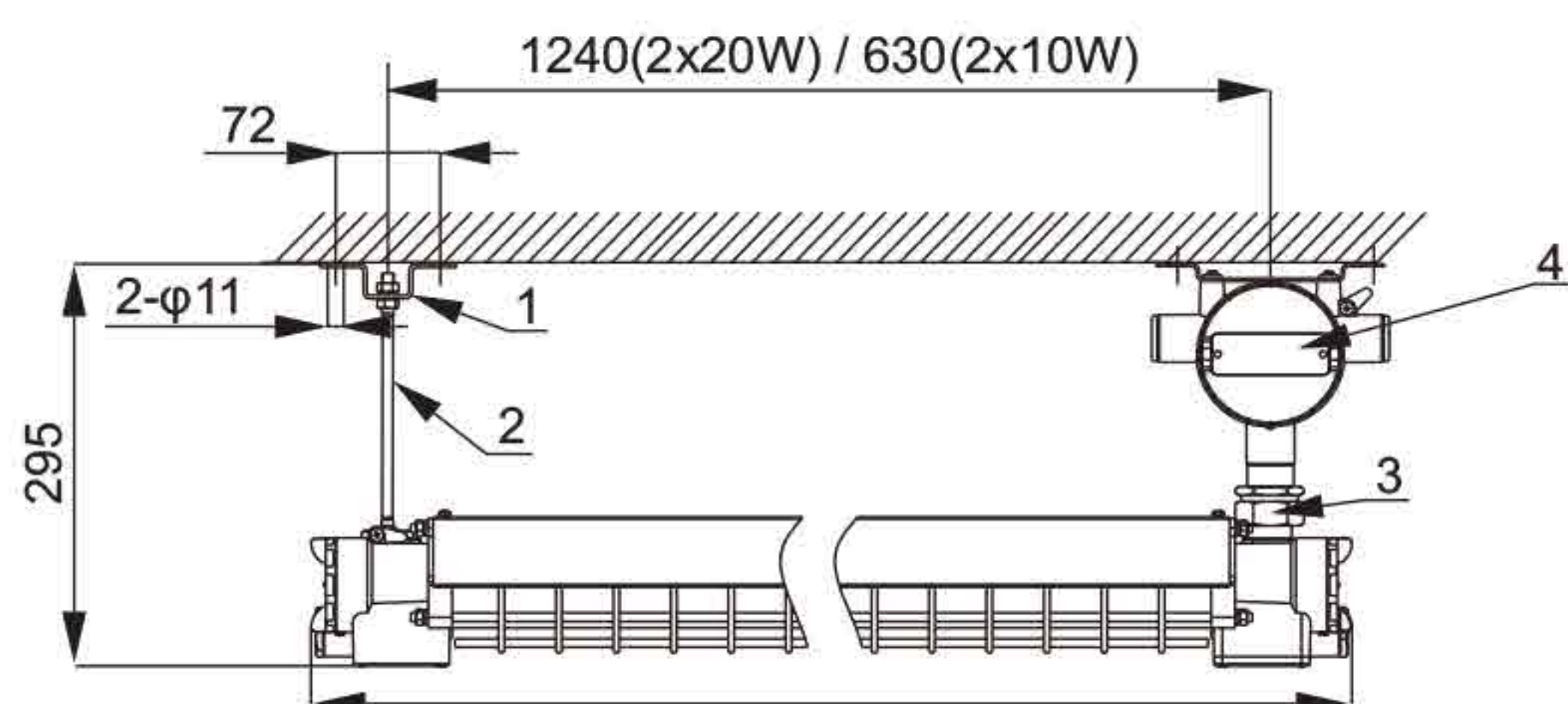
Lamps Ordering Information

Order No.	Mounting type	Lamp power	Equivalent to
			Fluorescent
BC5401-L20A	Pole	2×10W	2×20W
BC5401-L40A		2×20W	2×40W

Fitting Ordering Information (Optional)

Order No.	No.	Specifications Model	Quantity
P04	1	Upper hoop	2
	2	Under hoop	2
	3	DN32 Poles	1
	4	U tube clip	2

Ceiling mounting 2



Lamps Ordering Information

Order No.	Mounting type	Lamp power	Equivalent to
			Fluorescent
BC5401-L20B	Ceiling	2×10W	2×20W
BC5401-L40B		2×20W	2×40W

Fitting Ordering Information (Optional)

Order No.	No.	Specifications Model	Quantity
P05	1	Pole mounting bracket	1
	2	19cm Screw(M8)	1
P02	3	Connector G3/4" male- male	1
BHD01	4	Explosion proof junction box	1