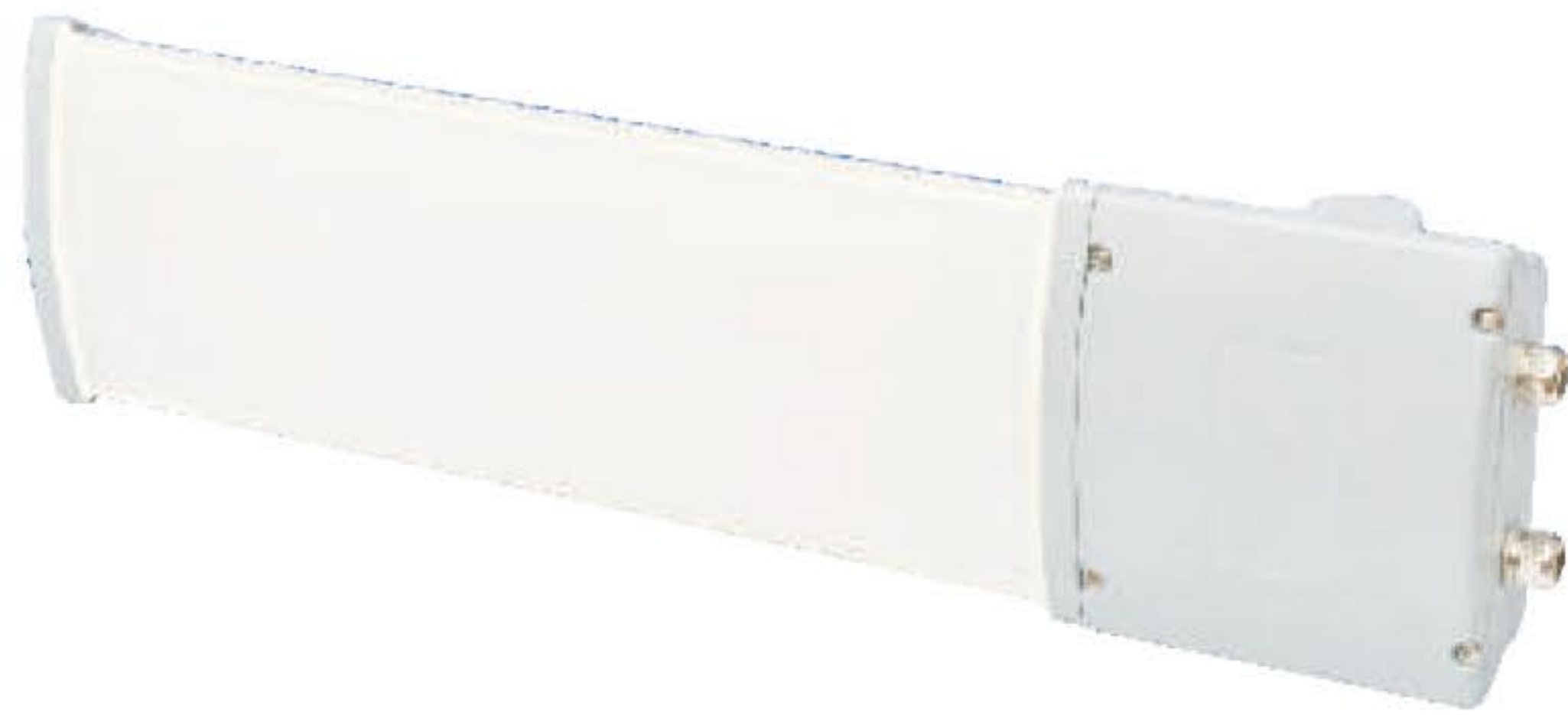
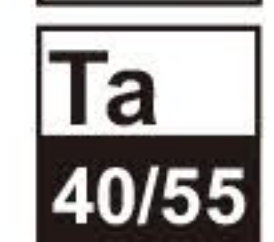


BC5420A Series LED Explosion-Proof Light

LOYALS HINE
KEEP LOYAL, KEEP SHINE!



Ex marking: Ex eb mb op is IIC T6/T5/T4 Gb
Ex tb op is IIIC T80°C/T95°C/T130°C Db

Application

Suitable for oil production platform, oil refining platform, living platform, hazardous chemicals ships, shore machines and other hazardous areas. Suitable for dangerous gas area Zone 1 and Zone 2.

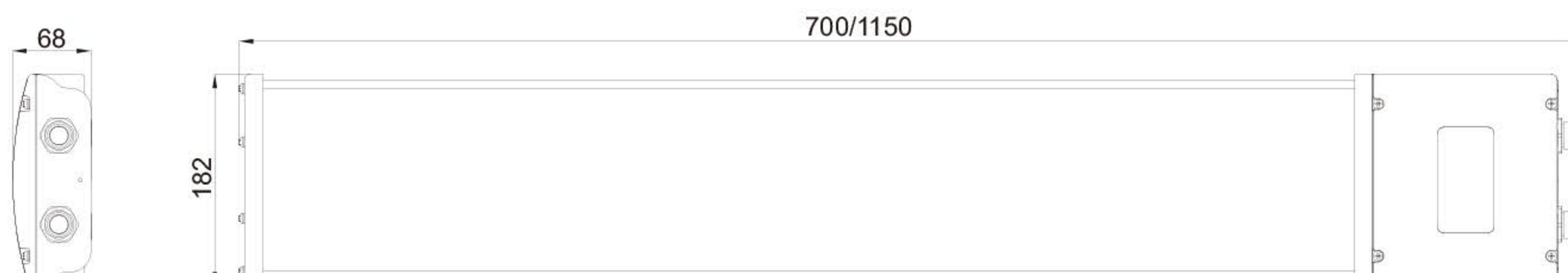
Characteristics

- Seawater resistant, anodized aluminum housing.
- Flexible light exit cover, soft and comfortable light.
- The whole lighting effect is about 110 lm/W.
- Ship-level anti-vibration test.
- Outdoor light diffusion material translucent cover, strong weather resistance.
- Independent junction box design, convenient wiring, can be used in parallel with multiple lamps.
- Exposed fasteners are all made of 304 stainless steel (Ocean platform requires custom 316 stainless steel).

Main Specification

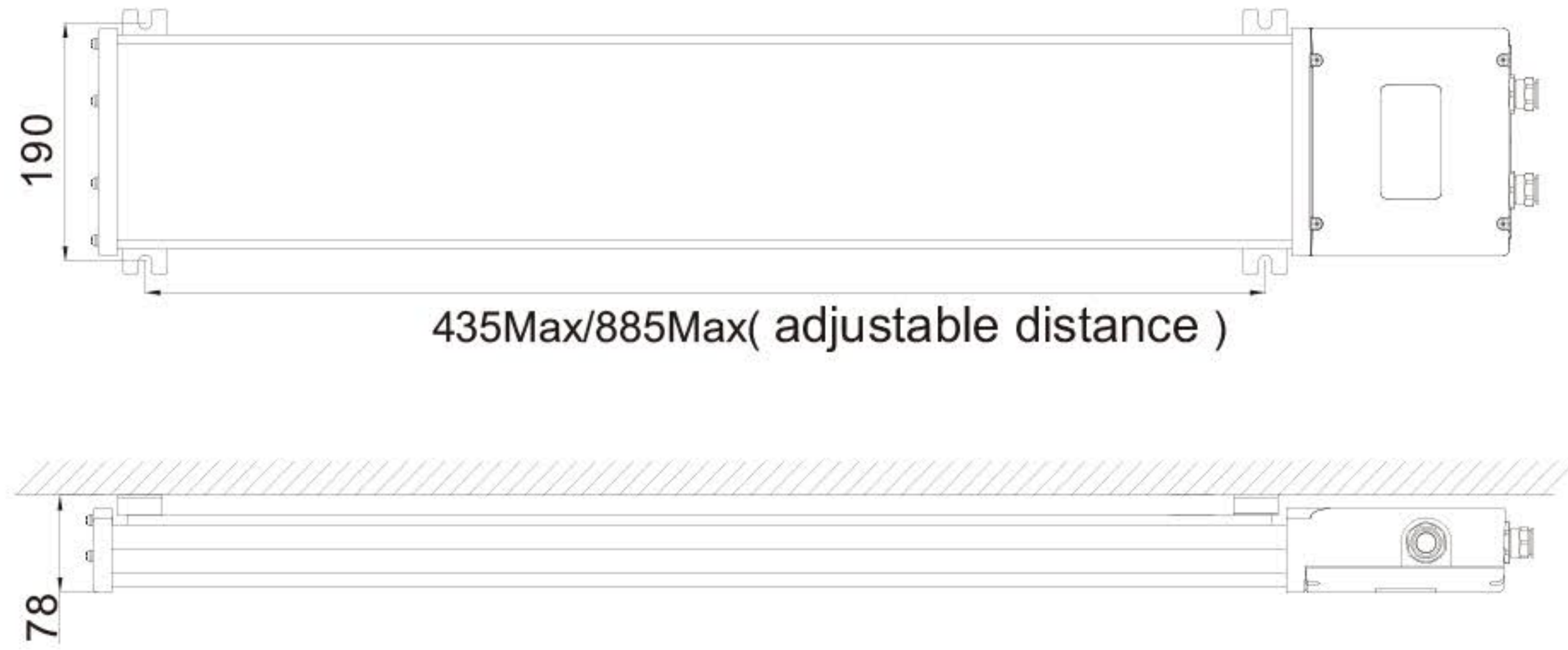
Item	Technical Parameters				
	BC5402A-L20	BC5402A-L30	BC5402A-L40	BC5402A-L60	BC5402A-L80
Rated wattage (W)	20W	30W	40W	60W	80W
Input voltage range (V)	108~264VAC, 50/60Hz				186~264VAC
Light output (lm)	2200lm	3300lm	4400lm	6300lm	8400lm
CCT	5000K (3000K/4000K Optional)				
CRI (Ra)	70				
IP class	IP66/IP67				
Ambient temperature	-40~+55°C				
Number of cable inlets	1~2				
Screw Thread of cable inlets	M20*1.5, M25*1.5, NPT1/2, NPT3/4				
Dimension (mm)	700×182×68	700×182×68	700×182×68	1150×182×68	1150×182×68
Net Weight (kg)	3.2	3.2	3.4	4.5	4.7

Drawing of dimension (Dimensions in mm)

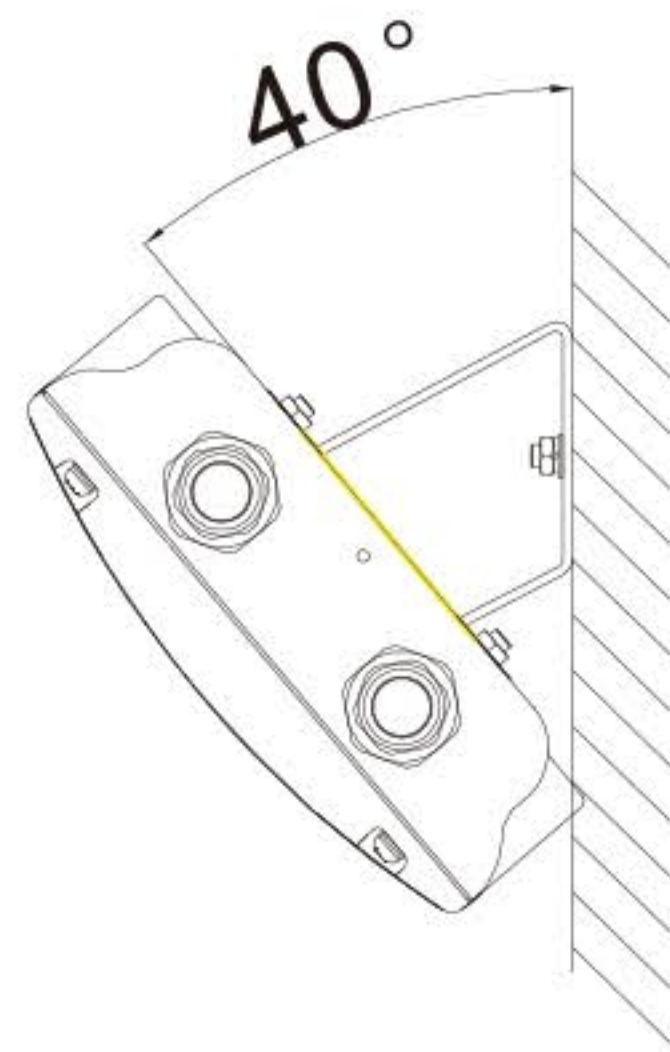


Drawing of dimension (Dimensions in mm)

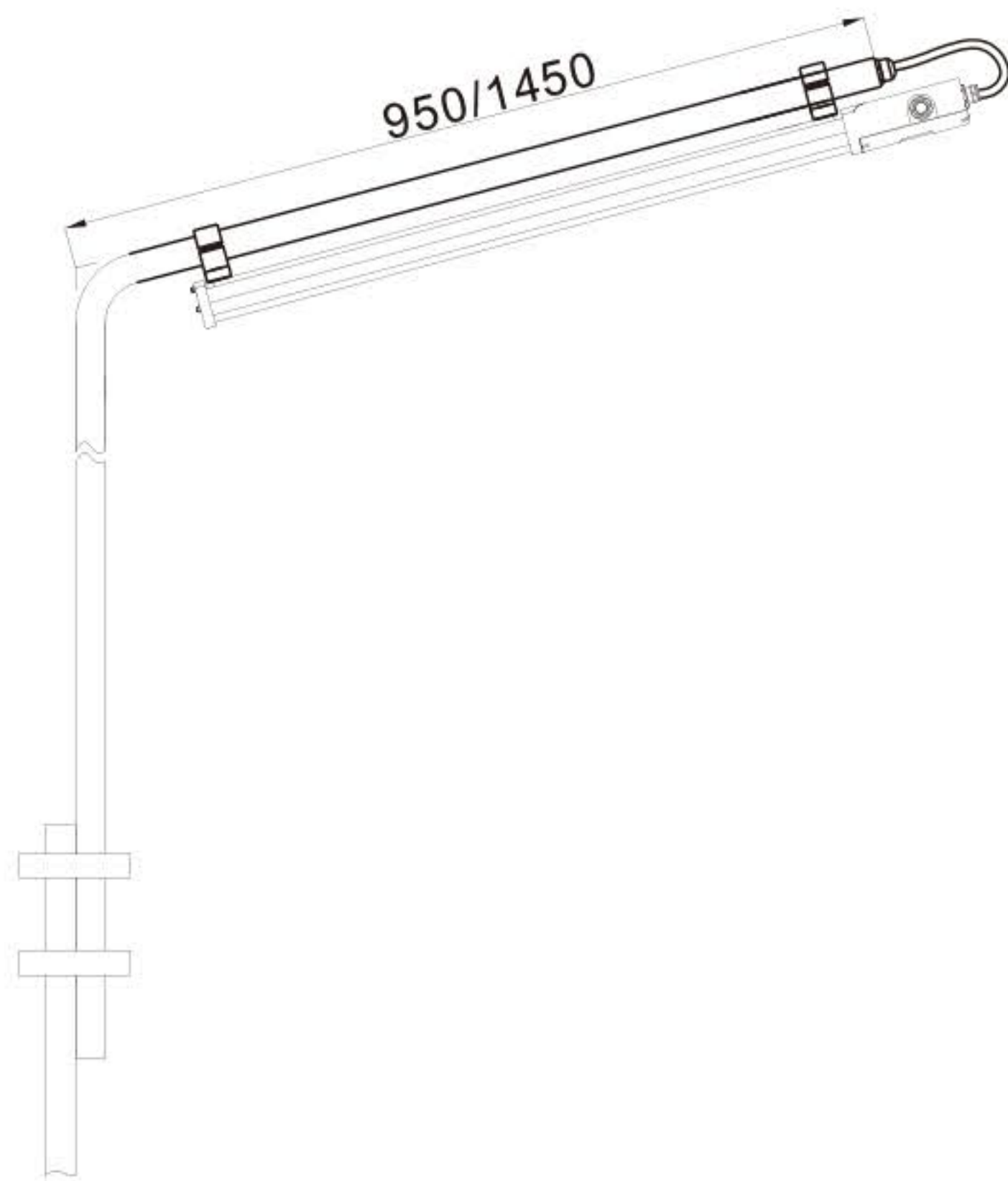
1. Bracket mounting(Standard)



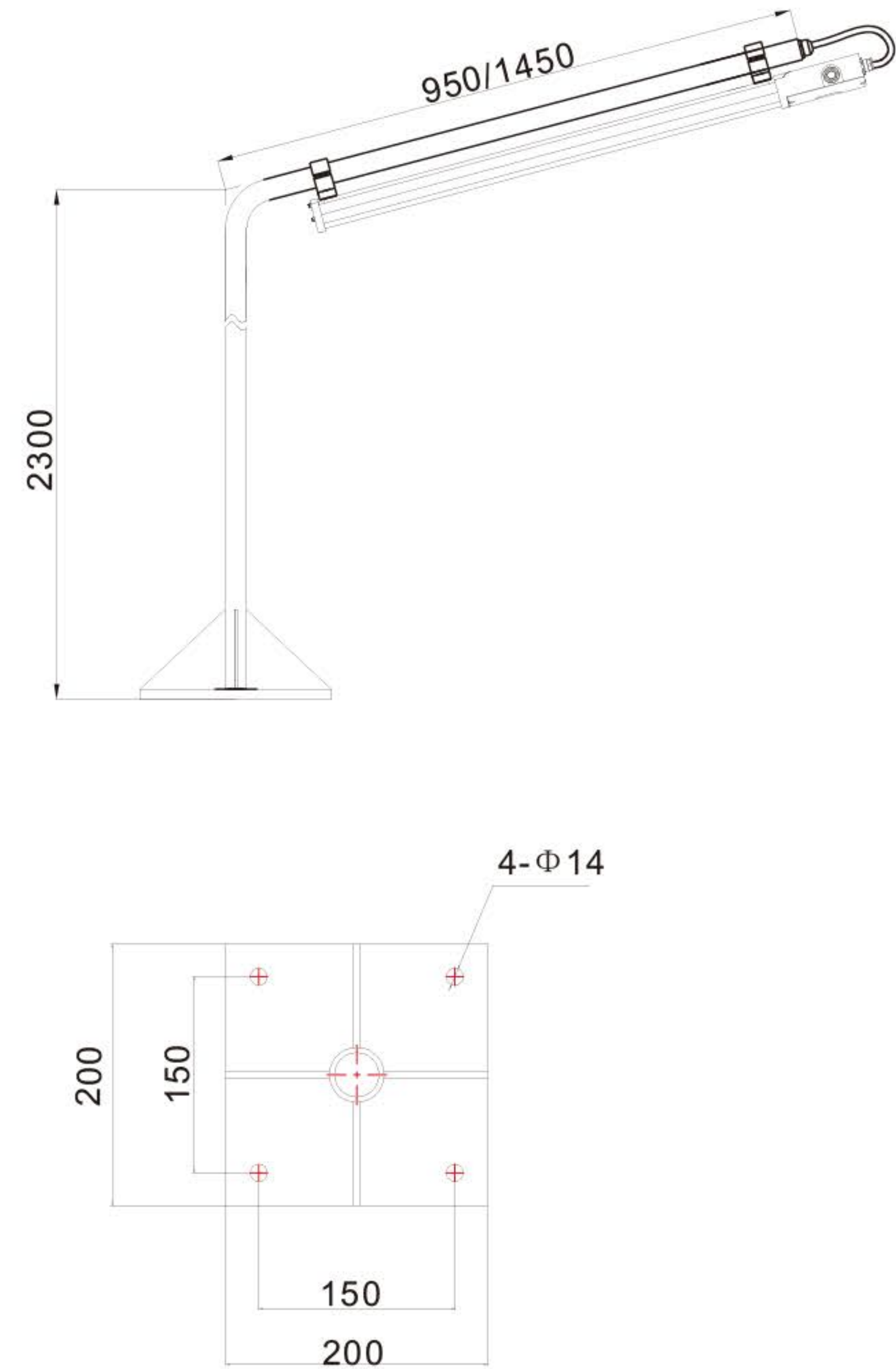
2. Side wall mounting (40 degree)



3. Guardrail installation



4. Flange mounting



Ordering reference

Model number	Rated wattage(W)	Input voltage(V)	CCT	CRI	Mounting type	Number of cable inlets
BC5402A-L	20/ 30/ 40/ 60/ 80	120V/240V	3000K-30 4000K-40 5000K-50	R7(Ra70) R8(Ra80)	S1 Bracket mounted S2 Side wall mounted S3 Guardrail installation S4 Fence mounted	E1(one cable inlet) E2(two cable inlets)

Example: Specification of Lamp is Power 20W, Color temperature 4000K, Bracket mounting, One cable inlet.
Order number as BC5402A-L20W120/240V40R7S1E1