

BC9101 LED Explosion Proof Light

LOYALS_{HINE}
KEEP LOYAL, KEEP SHINE!



IECEX

ATEX

CE

IP
66

Ta
45

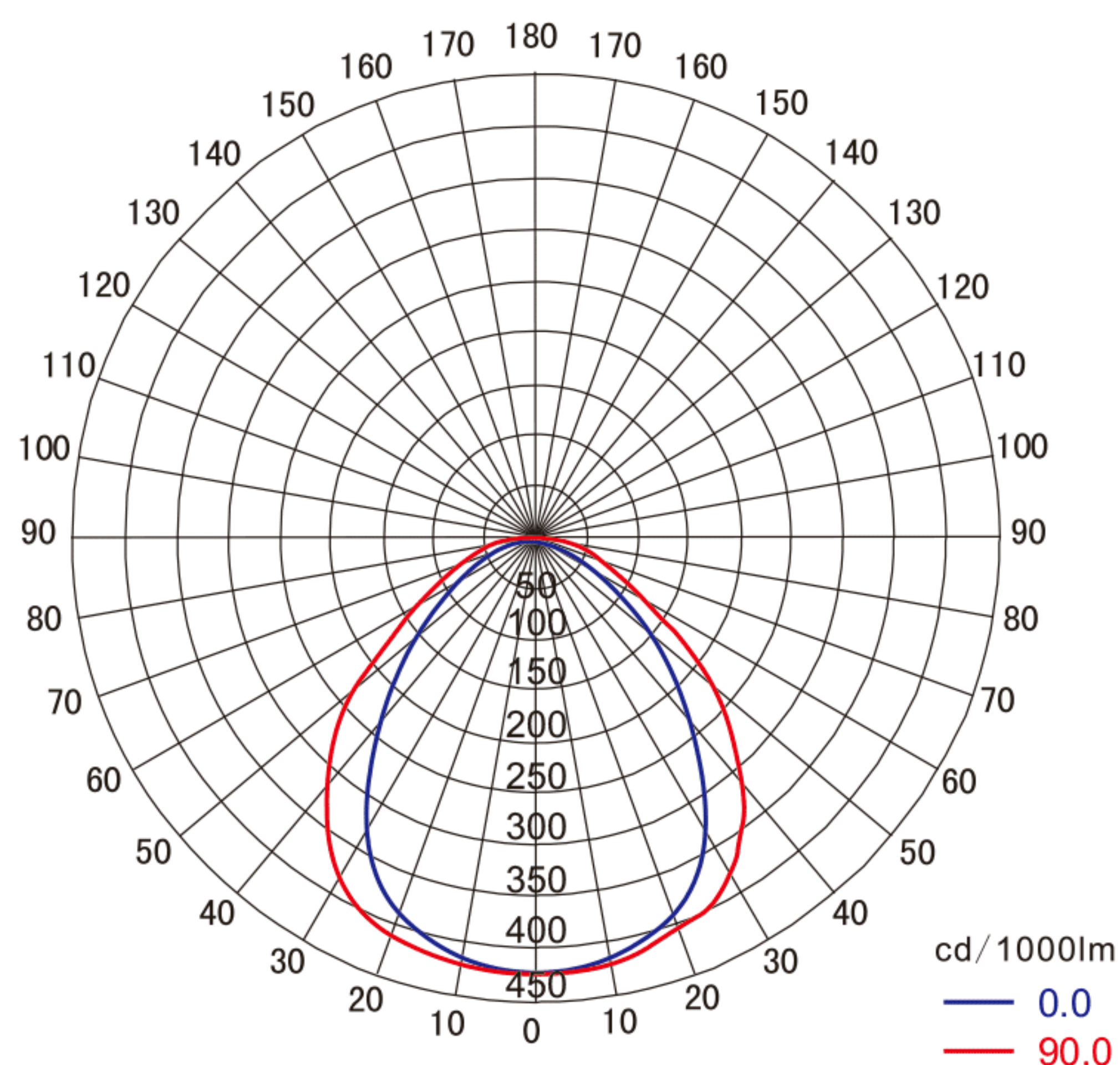
Ta
-40



Ex marking: Ex d IIB T6 Gb
Ex tb IIIC T80°C Db IP66



Light distribution curve



Application

- Ideal to be used in the environment of flammable gas, steam and dust environment, such as Petrochemical Plant, Chemical Plant, Pharmaceutical Factory, etc.
- Class1,zone 1&zone 2, zone 21&zone 22

Characteristics

- With special anti-glare light distribution design, it efficiently utilize the light. Have a good performance of illuminance uniformity, glare free, can avoid eyestrain to the worker.
- A full range of high conductivity material accelerate convection cooling structure, effective guarantee long-term use in high temperature environments.
- It adopts CREE LED as light source, no dark spot, can save 60% or more on energy than Metal Halide Lamp.
- Taiwan Meanwell driver or driver with same quality, power factor above 0.98, high reliability and long time service life.
- The adjustable locking device on the bracket can tightly fix the lamp to any desired angle, making the lamp resist to harsh vibration.
- It is made using aluminum housing, all exposed fasteners adopt 304 stainless steel. Using high-tech anti-corrosion surface treatment technology, suitable for hazardous working areas.
- Intelligent control functions can be realized.

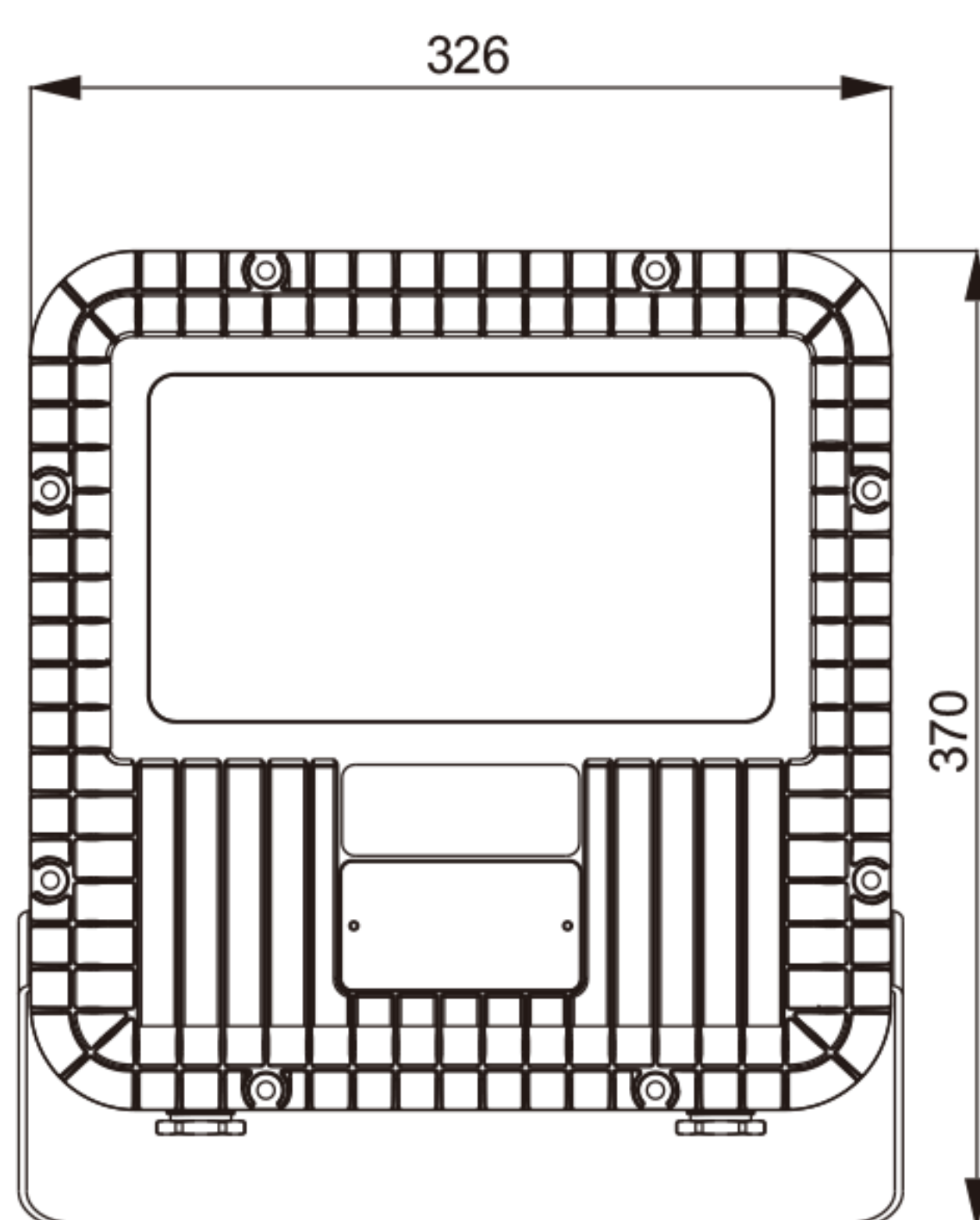
Main Specification

| Item | Technical Parameters |
|-------------------|--------------------------|
| Input voltage (V) | 90~305VAC |
| | 18~43VAC/ 18~55VDC (low) |
| Rated frequency | 50Hz / 60Hz |
| Light source | LED |
| Life time (h) | 100,000 |
| CRI (Ra) | 75 |
| CCT | 5000K ±250K |
| Cable entry | G3/4" |
| Dimension (mm) | 326×370×88 |
| Net weight (kg) | 9 |

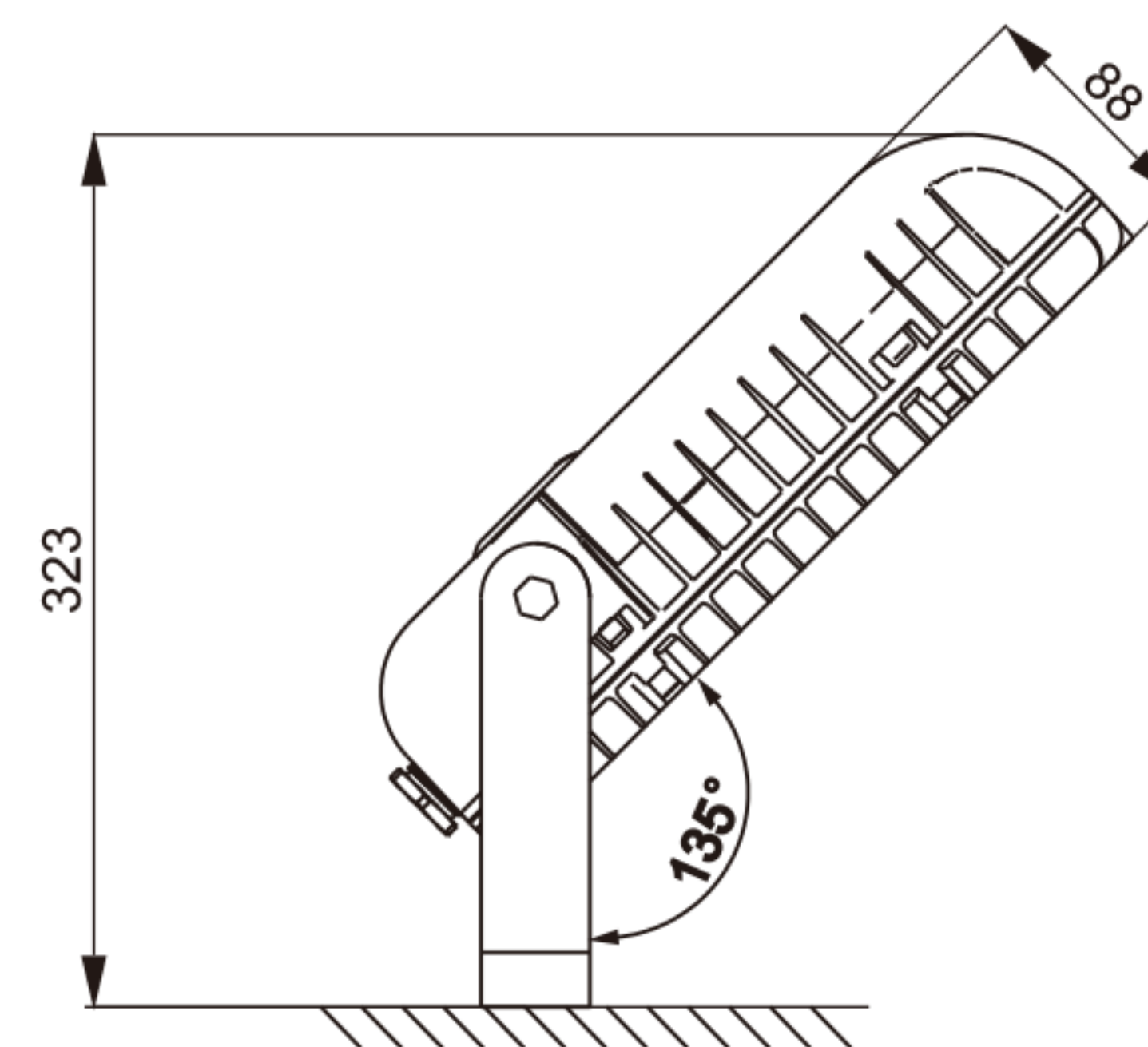
Ordering Reference

| Model number | Input voltage (V) | Rated wattage (W) | Light output (lm) | Mounting height (m) | Equivalent to |
|--------------|-----------------------|-------------------|-------------------|---------------------|---------------|
| | | | | | MH |
| BC9101-L25 | 90~305VAC | 25W | 2800 | 3~6m | 70W |
| BC9101-L40 | | 40W | 4200 | | 100W |
| BC9101-L60 | | 60W | 5900 | 4~8m | 150W |
| BC9101-L80 | | 80W | 7200 | | 175W |
| BC9101-L25L | 18~43VAC/ 18~55VDC | 25W | 2800 | 3~6m | 70W |
| BC9101-L40L | | 40W | 4200 | | 100W |

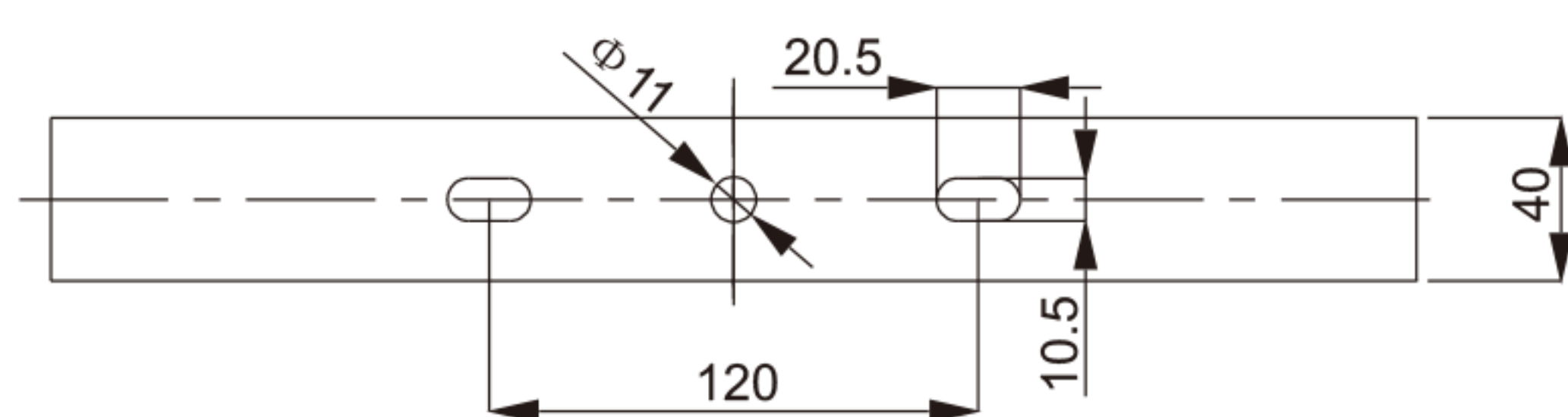
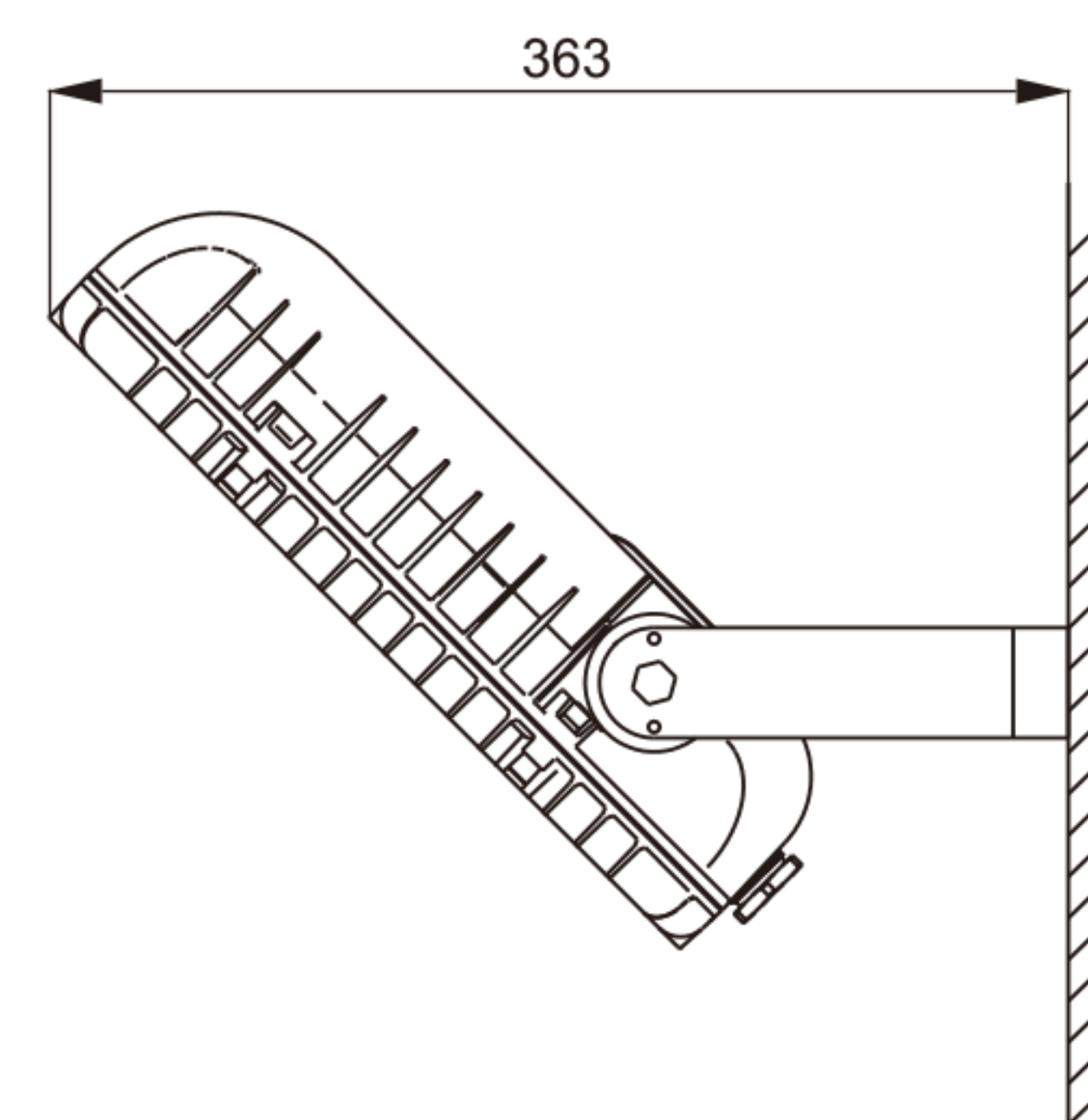
Drawing of dimension (Dimensions in mm)



Seat mounting



Side wall mounting



Installation dimension