

# BC9302S Series LED Explosion Proof Flood Light

**LOYALS** HINE  
KEEP LOYAL, KEEP SHINE!



IECEX

ATEX

IP  
66

Ta  
40/55

Ta  
-40



Beam angle:200°

Ex marking: Ex db op is IIC T5/T6 Gb  
Ex tb op is IIIC T95°C/T80°C Db

## Application

Equipment platform, equipment layer area, main and auxiliary workshop, channel, pipeline, joint station, transfer station, pump valve shed, tank, material sample, plank road, warehouse room, warehouse and other places.

Hazardous Gas Zone 1 and Zone 2  
Dangerous dust Zone 21 and Zone 22



## Characteristics

- Large light surface flexible light output, no glare, no blue light hazard, especially suitable for long-term lighting in a working environment.
- The translucent cover is made of non-transparent tempered glass, which is extremely resistant to weathering and acid and alkali.
- The shell is made of aluminum alloy, the standard part is made of 304 stainless steel, and the surface is made of high-tech anti-corrosion treatment technology, which is suitable for various harsh industrial environments.
- The luminaire has two access ports, which can be used in parallel as a connection, saving the cost of installing the junction box in the middle.
- The lamp opening and closing connection design enable single person installation and maintenance, saving labor costs.
- American Lumileds light source, the overall lighting efficiency is as high as 100lm / W, compared with the metal halide lamp energy saving more than 60%.
- The whole lamp protection grade is IP66, which can be applied to various indoor and outdoor sand dust or rain fog and sea wave environment for a long time.

## Main Specification

Rated voltage (V)	100~240VAC/120~270VAC(30~60W)
	200~240VAC(80W)
	20~38VAC/20~48VDC(30~60W)
Rated frequency	50Hz / 60Hz
Light source	LED
Life time(h)	50,000h
CCT	5000K(3000K/4000K optional)
Screw thread	G3/4, M20, M25, NPT3/4", NPT1/2
Leading-in cable diameter	φ 9mm~ φ 14mm
Dimension (mm)	φ 240 × 220
Net weight (kg)	5

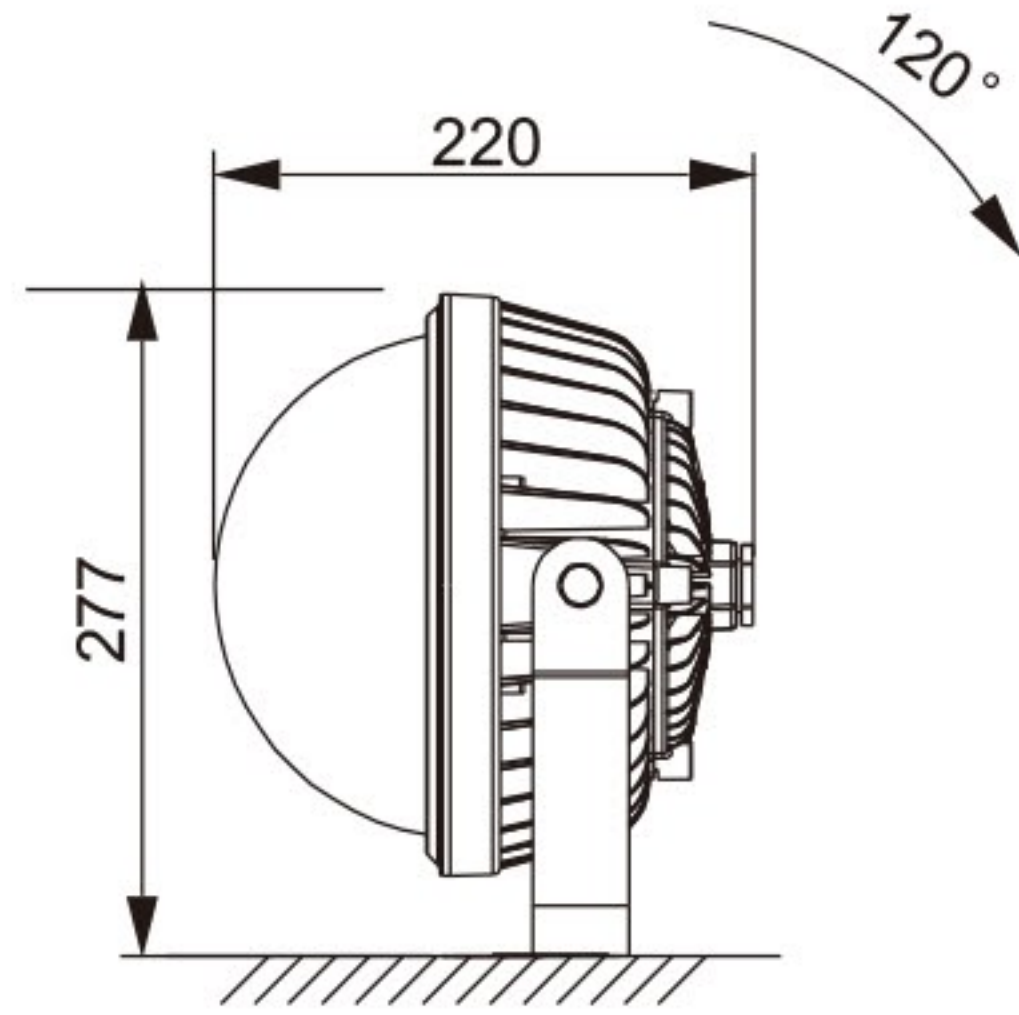
## Ordering reference

Model number	Picture	Rated wattage (W)	Light output (lm)	Space height ratio	Mounting height(m)	Light distribution curve (1000cd/lm)	Replace to
							Metal halide lamp
BC9302S-L30-200°		30W	2700	1.75	2~5m		70W
BC9302S-L40-200°		40W	3600				100W
BC9302S-L50-200°		50W	4500		3~6m		100W
BC9302S-L60-200°		60W	5600				150W
BC9302S-L80-200°		80W	7200				175W

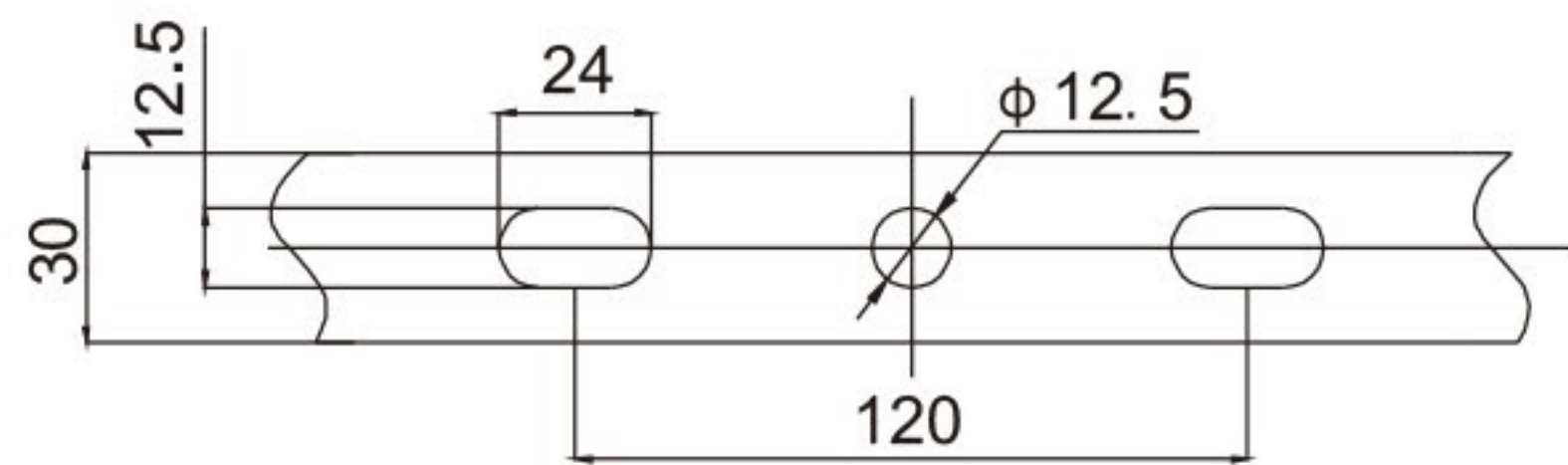
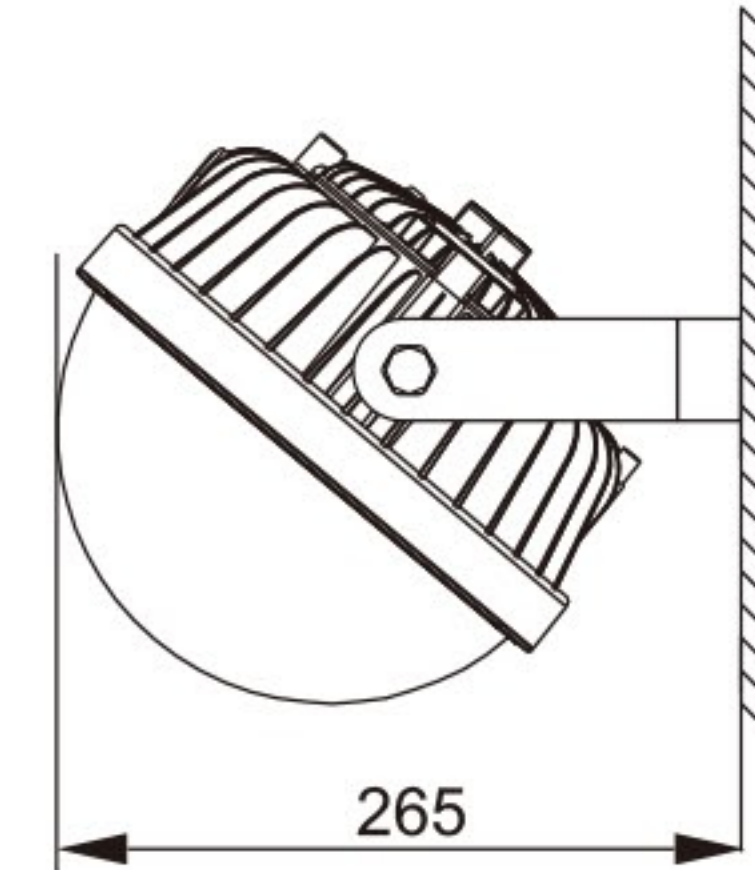
\*The lamp can be matched with a flat lens: 80°

Drawing of dimension (Dimensions in mm)

Seat mounting



Side Wall mounting



Installation size