

**Ex**

**CE**

**RoHS**

**LM79**

**LM84**

**IP**  
66

**Ta**  
55

**Ta**  
-40



Ex marking: Ex d IIC T5/T6 Gb  
Ex tD A21 IP66 T95°C/T80°C,IP66

## Application

- Suitable for oil drilling, refining platform, chemical petrol factory, pharmaceutical factory, polishing factory, etc.
- Gas explosive environment: Group IIA,IIB,IIC.
- Zone 1,zone 2;zone 21,zone 22.




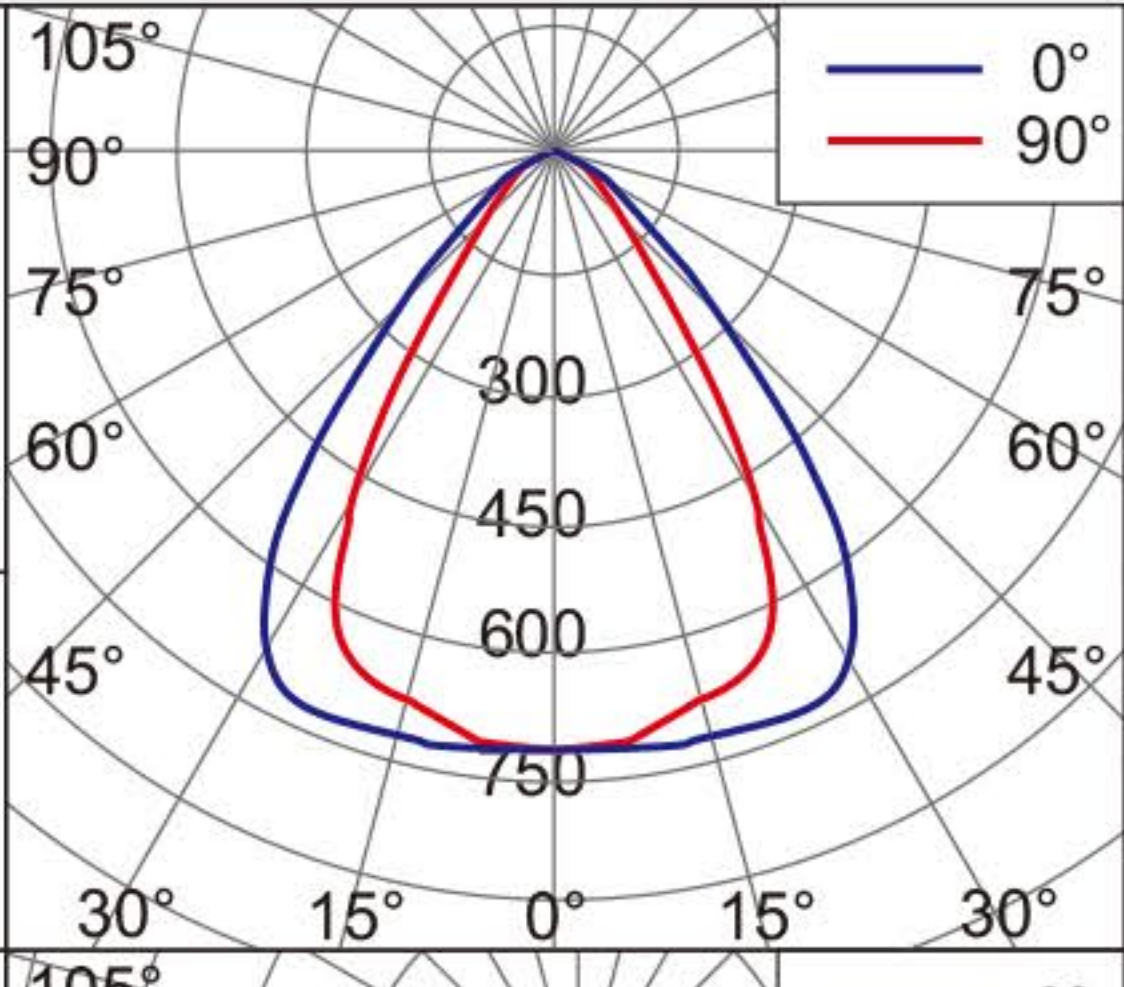

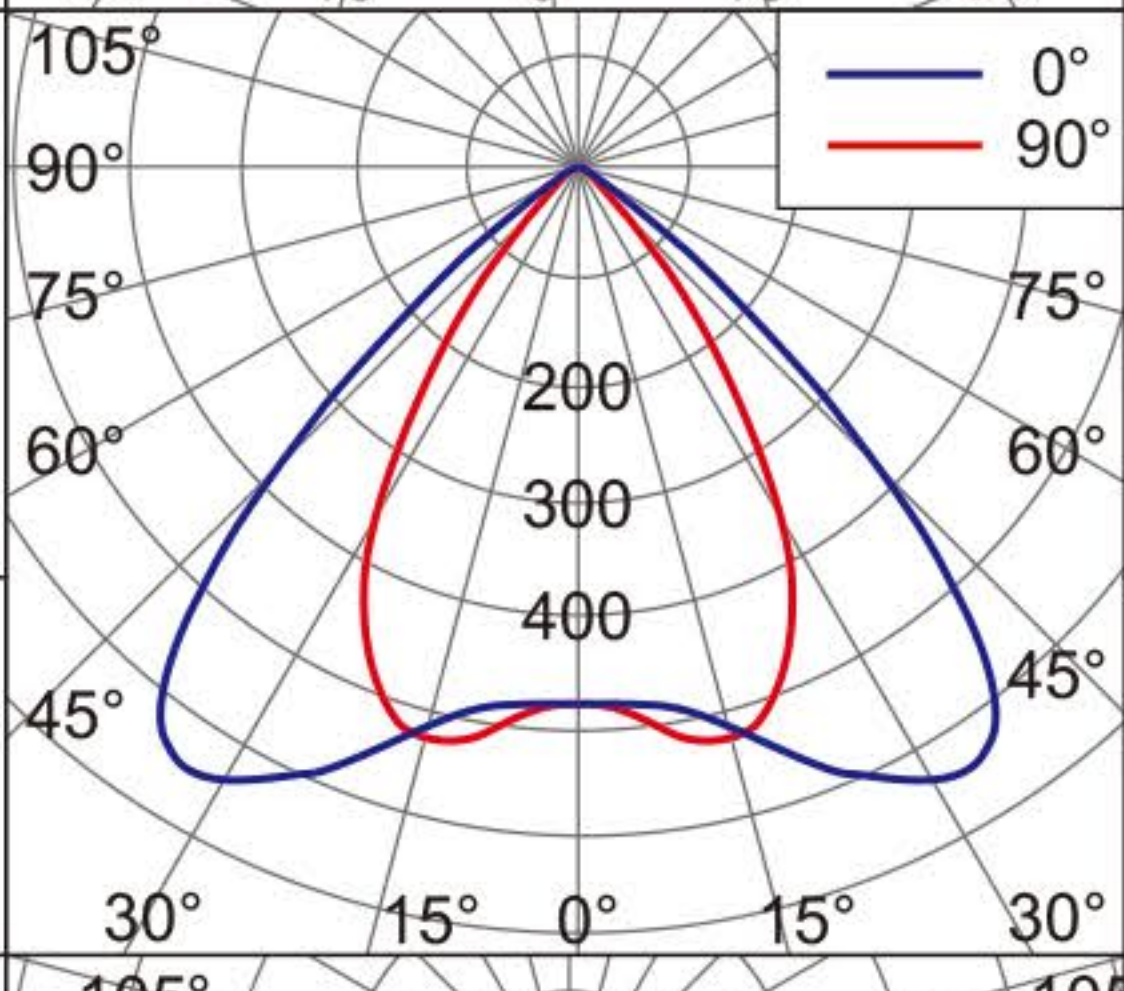

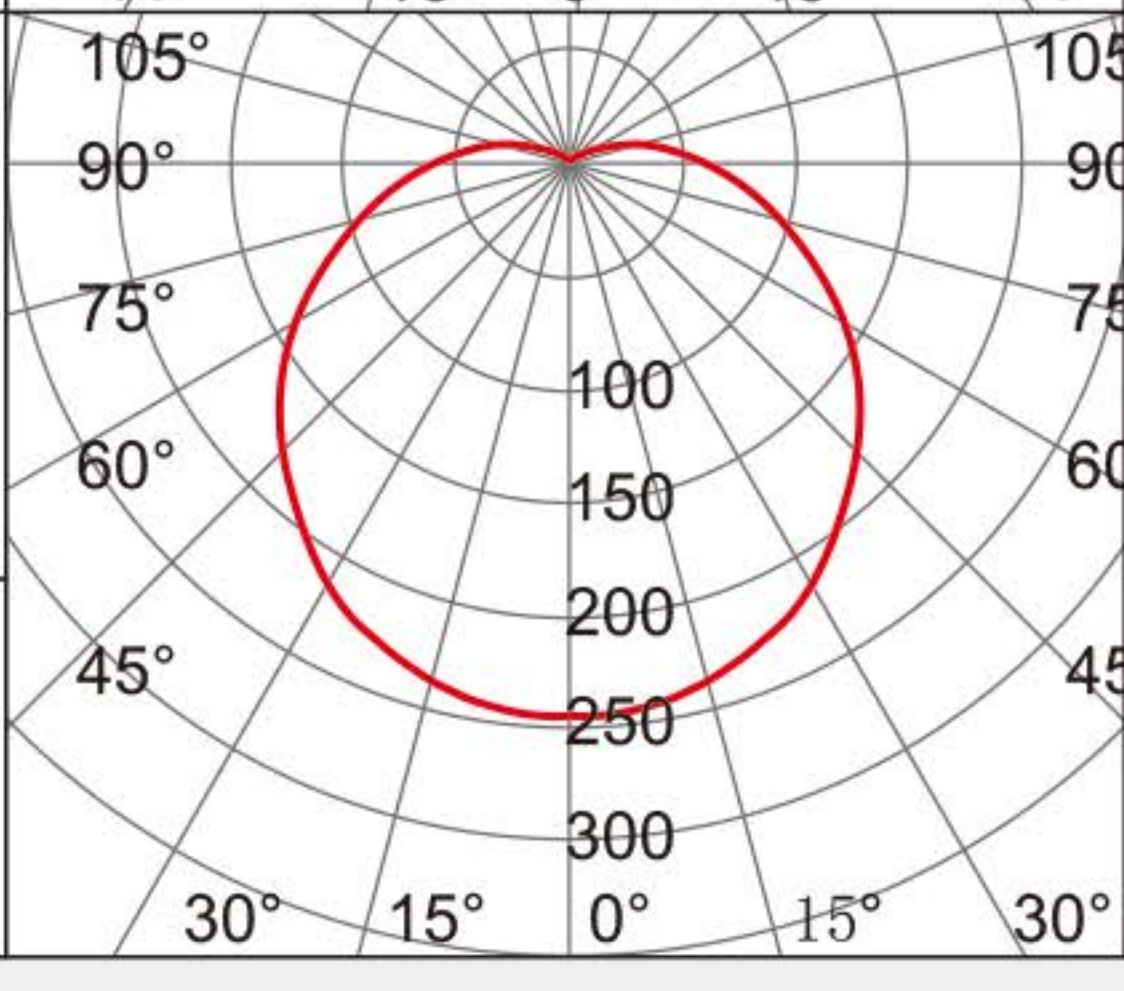

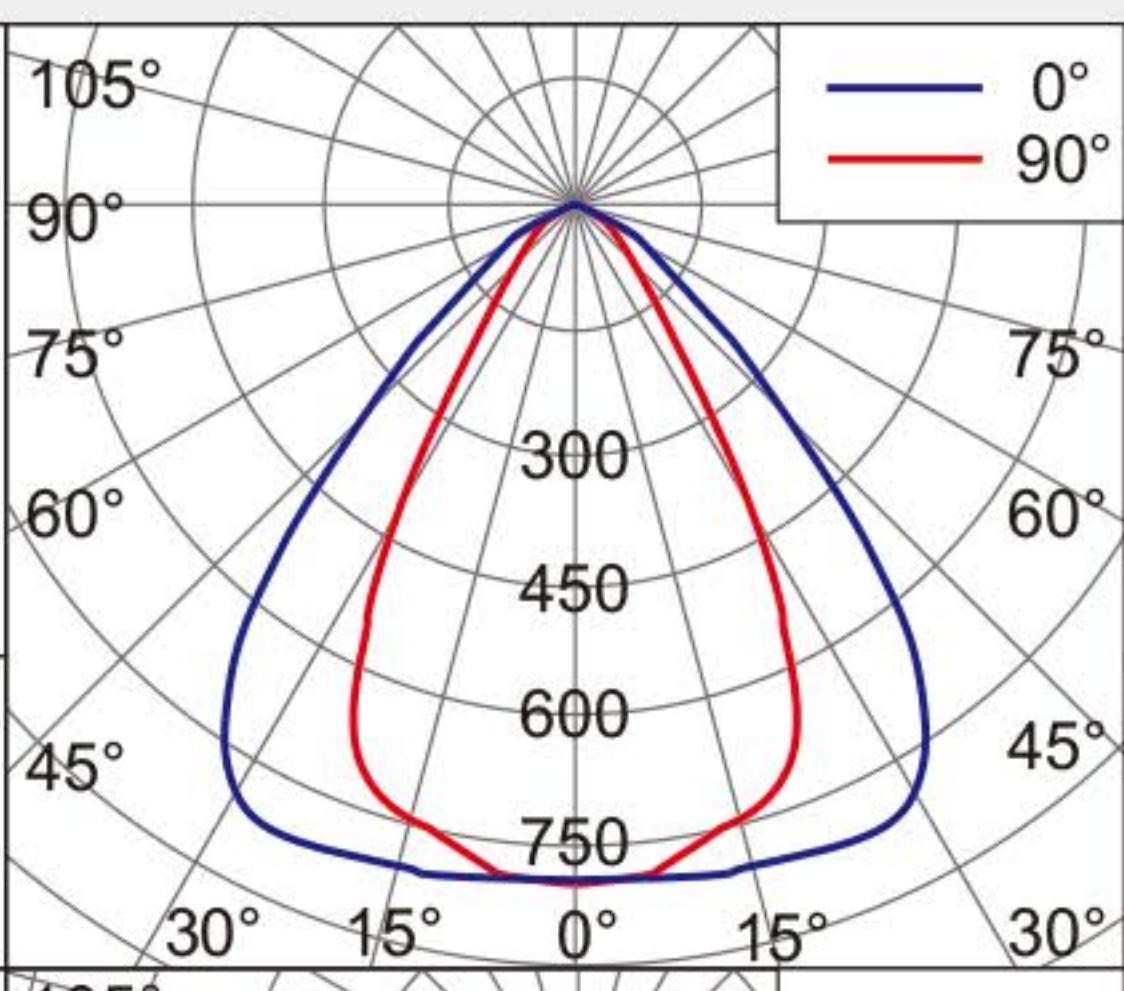

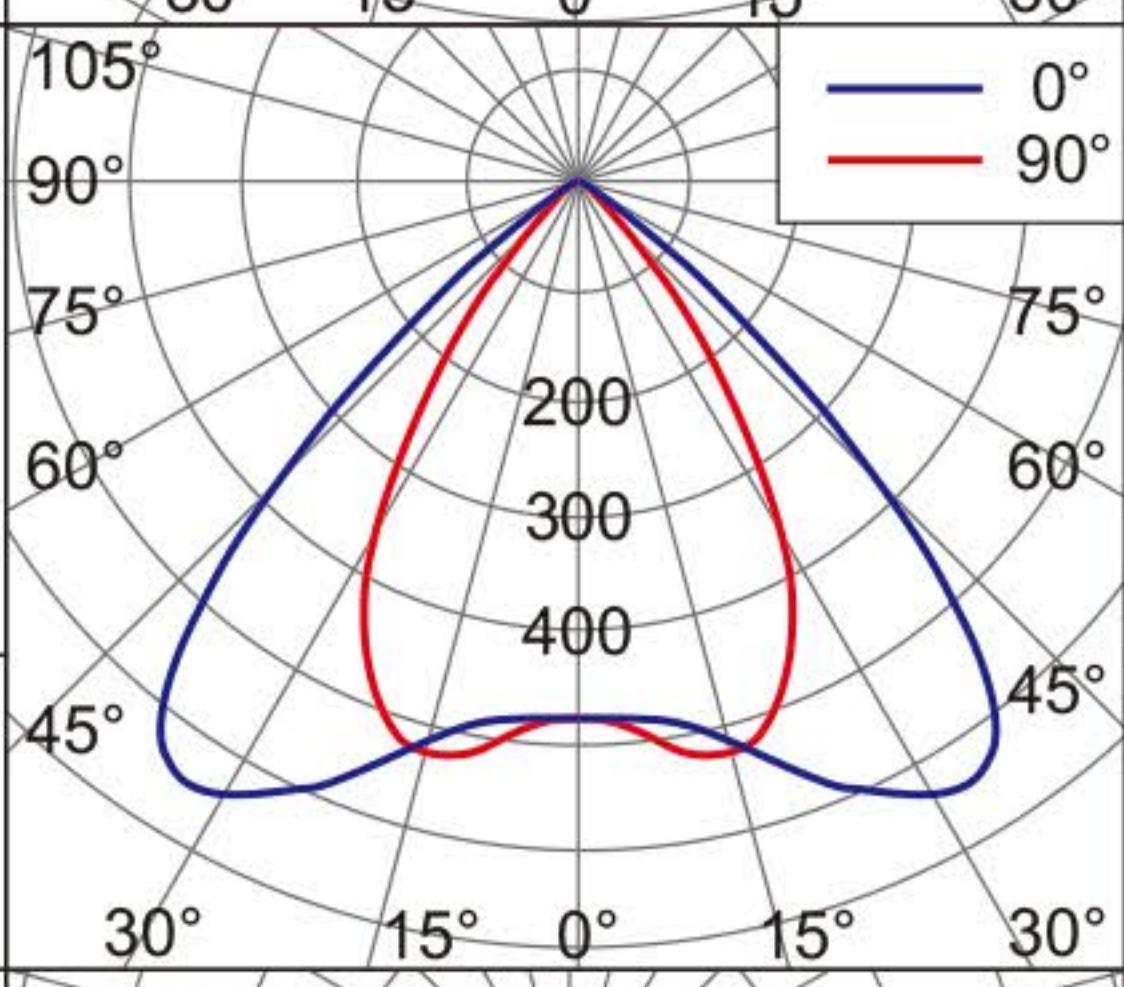

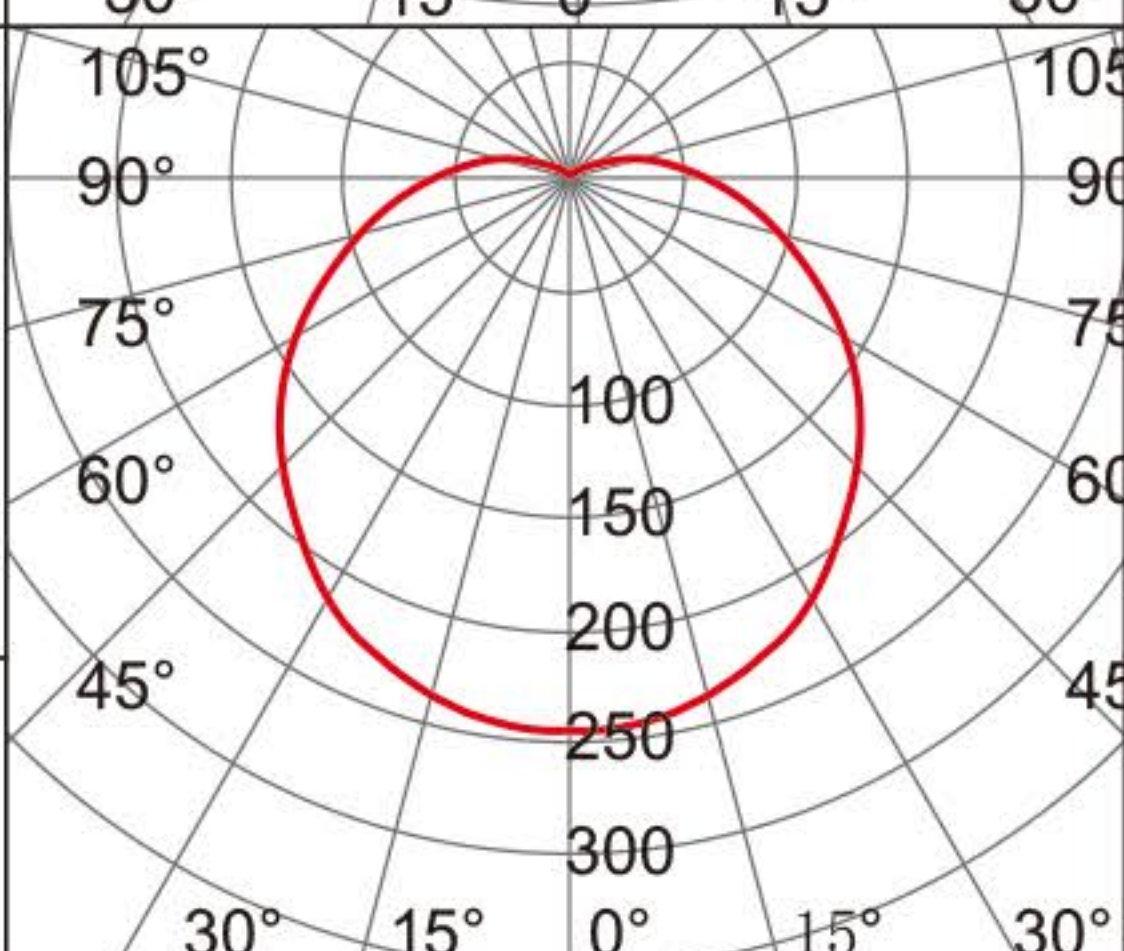
## Characteristics

- It is made using a special aluminum housing, all exposed fasteners adopt 304 stainless steel. Using high-tech anti-corrosion surface treatment technology, suitable for long-term highly corrosive environment of offshore oil platforms, oil drilling platform, chlor-alkali, vulcanization cyanide, etc.
- A full range of high conductivity material accelerate convection cooling structure, effective guarantee long-term use in high temperature environments.
- Variety of Light distribution and installation types under one lamp design, an effective solution to beautify workshop and device platform.
- Optoelectronic integrated technology, no dark spot, no ghosting, energy-saving is 60% more than Metal Halide Lamp.
- AC-DC wide voltage and constant power driver, can be long-term used in voltage instability places.
- Quick replay light source without welding.
- Windward area is only 30% of the traditional lamp, suitable for high-altitude winds area.

## Main Specification

| Item              | Technical Parameters                      |
|-------------------|---|
| Input voltage (V) | 90~264VAC(30~60W) or 185~264VAC (80W)     |
|                   | 18~43VAC/ 18~55VDC (30~60W)               |
| Rated frequency   | 50Hz / 60Hz                               |
| Light source      | LED                                       |
| Life time (h)     | 50,000                                    |
| CRI (Ra)          | 70 (80 optional)                          |
| CCT               | 5000K(3000K/4000K optional)               |
| Cable entry       | M20×1.5, M25×1.5, G3/4", NPT1/2", NPT3/4" |
| Dimension (mm)    | 180×230×270                               |
| Net weight (kg)   | 3.7                                       |

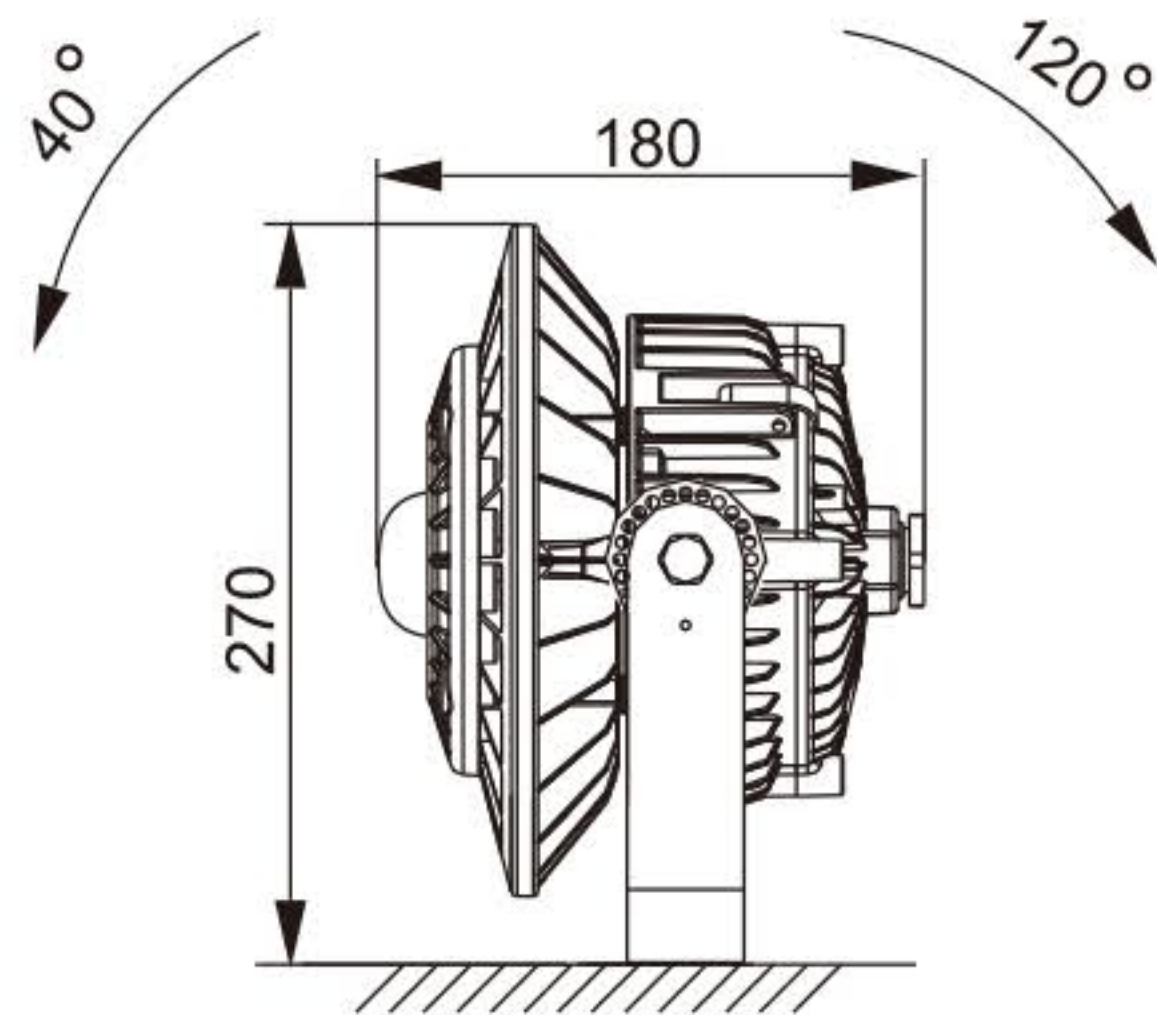
## Ordering Reference

| Model number   | Picture   | Rated Wattage (W) | Light output (lm) | Space height ratio | Mounting height (m) | Light distribution curve(1000cd/lm)   | Equivalent to |
|--|---|-------------------|-------------------|--------------------|---------------------|---|---------------|
|  |   |                   |                   |                    |                     |   | MH            |
| Input voltage: 90~264VAC(30~60W) or 185~264VAC (80W) |   |                   |                   |                    |                     |   |               |
| BC9308S-L30-60°×80°                                  |    | 30W               | 3500              | 1.25               | 3~6m                |    | 70W           |
| BC9308S-L40-60°×80°                                  |   | 40W               | 4600              |                    |                     |   | 100W          |
| BC9308S-L50-60°×80°                                  |   | 50W               | 5600              |                    | 100W                |   |               |
| BC9308S-L60-60°×80°                                  |   | 60W               | 6900              |                    | 150W                |   |               |
| BC9308S-L80-60°×80°                                  |   | 80W               | 8800              |                    | 175W                |   |               |
| BC9308S-L30-90°×110°                                 |  | 30W               | 3300              | 1.75               | 3~6m                |   | 70W           |
| BC9308S-L40-90°×110°                                 |   | 40W               | 4400              |                    |                     |   | 100W          |
| BC9308S-L50-90°×110°                                 |   | 50W               | 5600              |                    | 100W                |   |               |
| BC9308S-L60-90°×110°                                 |   | 60W               | 6700              |                    | 150W                |   |               |
| BC9308S-L80-90°×110°                                 |   | 80W               | 8400              |                    | 175W                |   |               |
| BC9308S-L30-200°                                     |  | 30W               | 2800              | 1.75               | 2~5m                |  | 70W           |
| BC9308S-L40-200°                                     |   | 40W               | 3700              |                    |                     |   | 100W          |
| BC9308S-L50-200°                                     |   | 50W               | 4500              |                    | 100W                |   |               |
| BC9308S-L60-200°                                     |   | 60W               | 5400              |                    | 150W                |   |               |
| BC9308S-L80-200°                                     |   | 80W               | 6800              |                    | 175W                |   |               |
| Input voltage: 18~43VAC/ 18~55VDC                    |   |                   |                   |                    |                     |   |               |
| BC9308S-L25D-60°×80°                                 |  | 25W               | 2900              | 1.25               | 3~6m                |  | 70W           |
| BC9308S-L40D-60°×80°                                 |   | 40W               | 4600              |                    |                     |   | 100W          |
| BC9308S-L60D-60°×80°                                 |   | 60W               | 6900              |                    | 150W                |   |               |
| BC9308S-L25D-90°×110°                                |  | 25W               | 2700              | 1.75               | 3~6m                |  | 70W           |
| BC9308S-L40D-90°×110°                                |   | 40W               | 4400              |                    |                     |   | 100W          |
| BC9308S-L60L-90°×110°                                |   | 60W               | 6700              |                    | 150W                |   |               |
| BC9308S-L25D-200°                                    |  | 25W               | 2400              | 1.75               | 2~5m                |  | 70W           |
| BC9308S-L40D-200°                                    |   | 40W               | 3700              |                    |                     |   | 100W          |
| BC9308S-L60D-200°                                    |   | 60W               | 5400              |                    | 150W                |   |               |

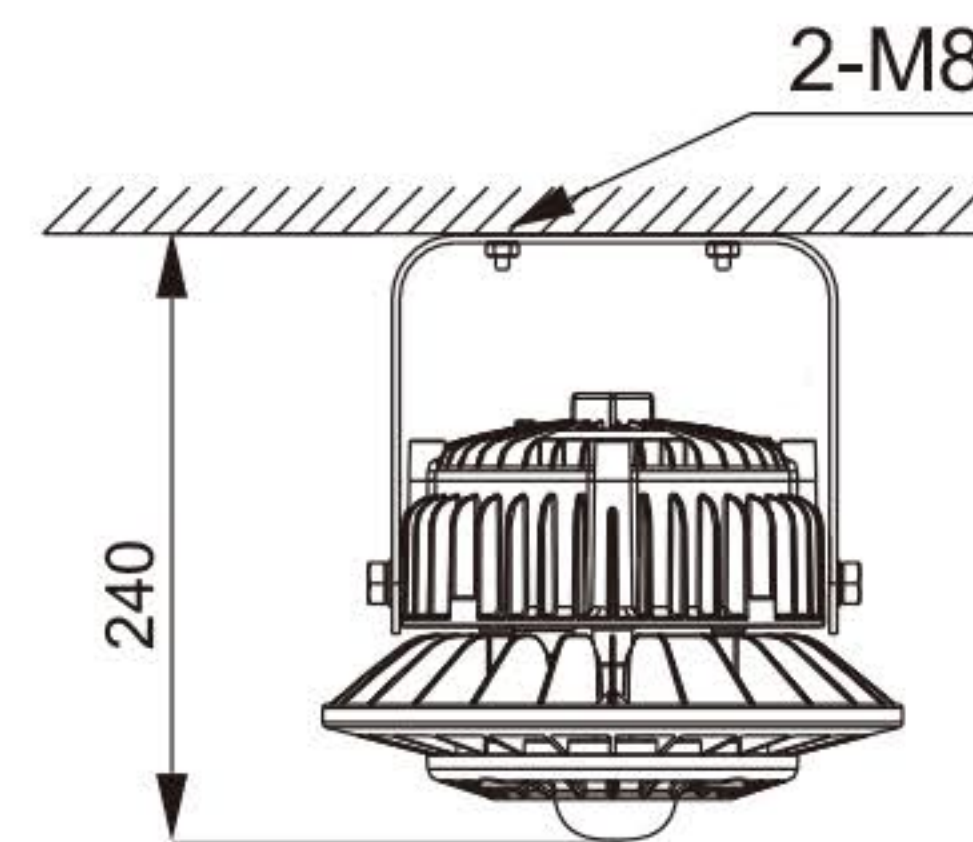
Note 1: Lens can be customized 40°, 60°, 80°, 100°

Drawing of dimension (Dimensions in mm)

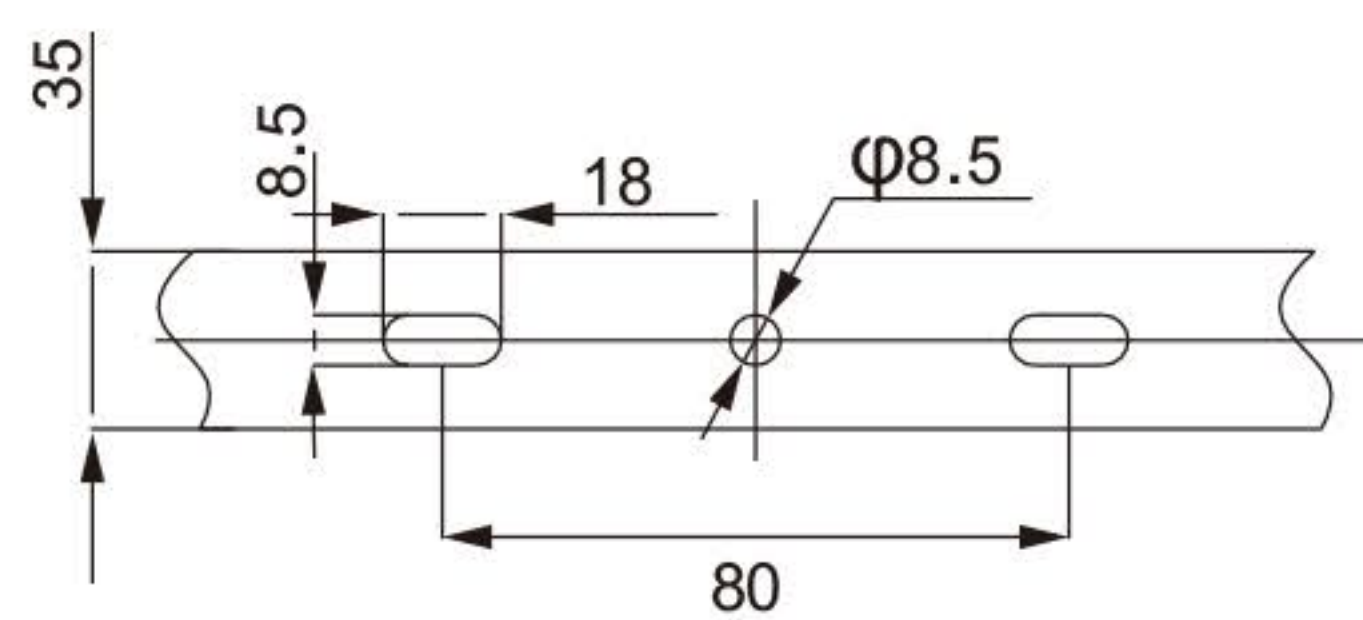
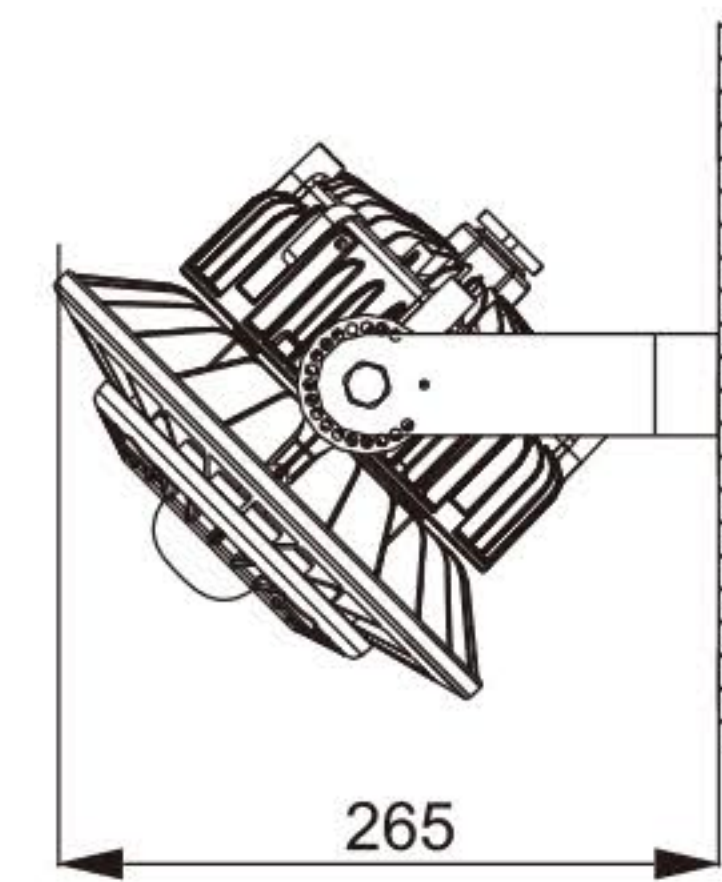
**Seat mounting**



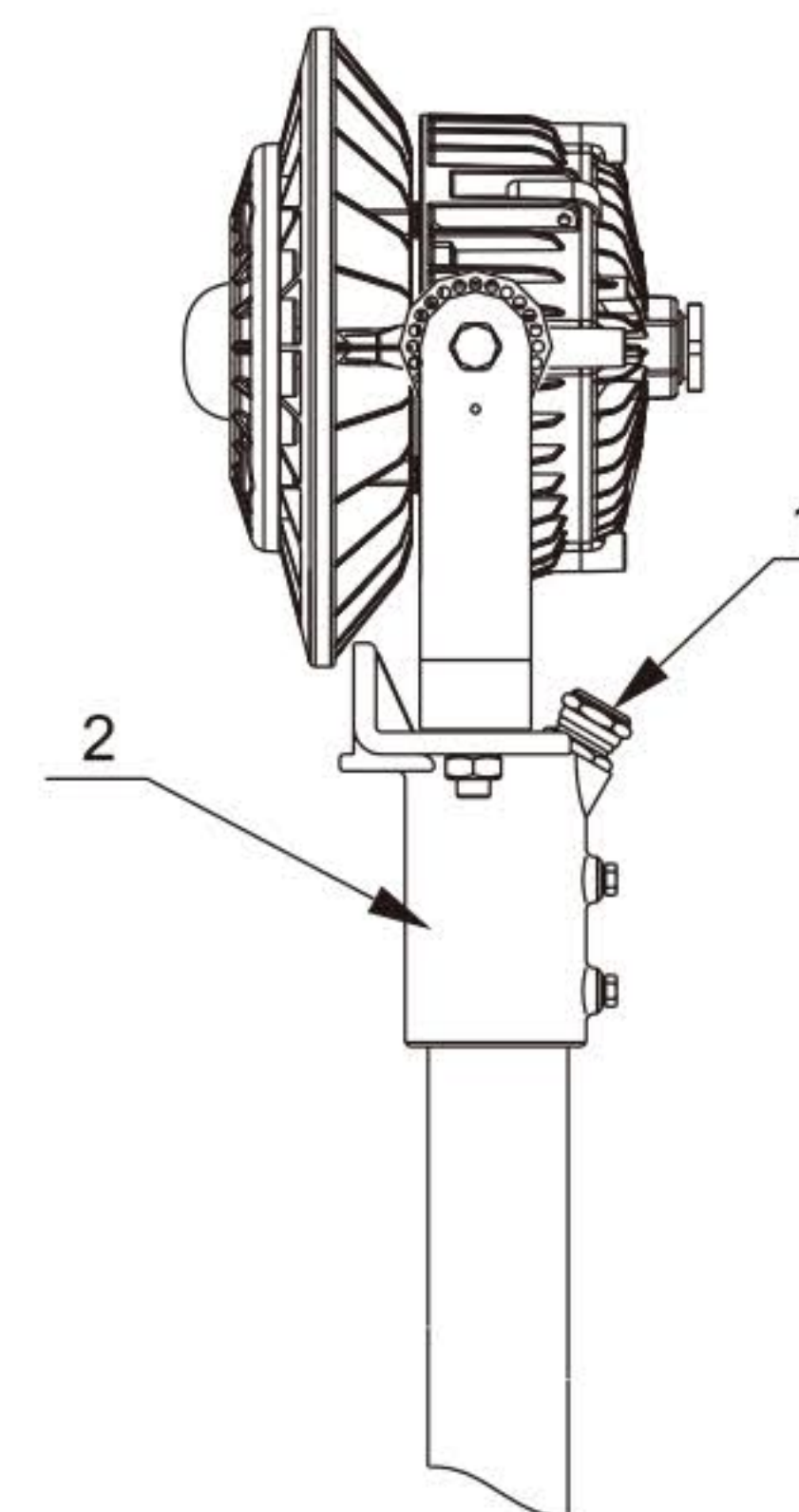
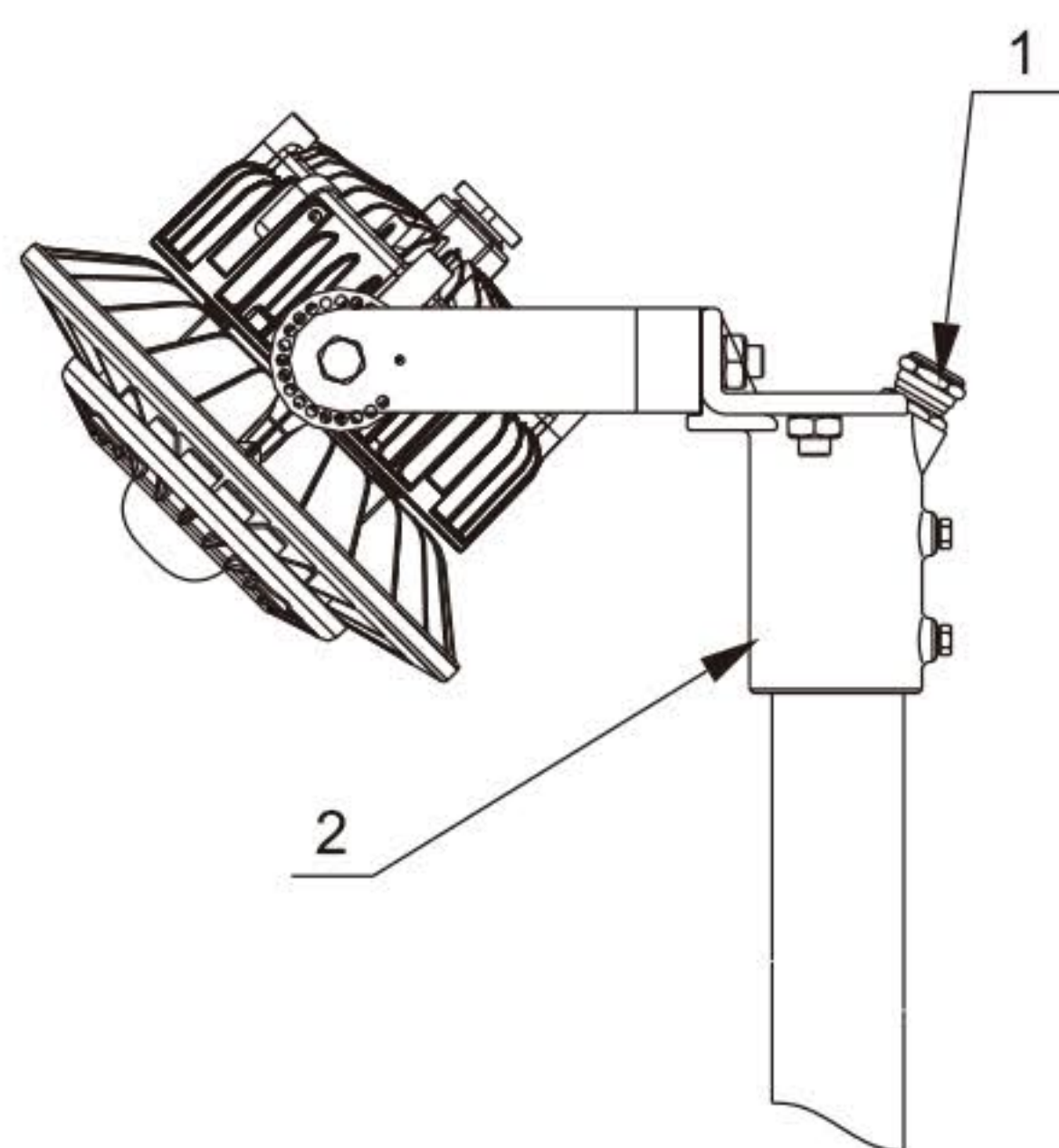
**Ceiling mounting**



**Side wall mounting**



**Pole mounting**



Accessories ordering information(optional)

| Order number | No. | Specification          | quantity | note              |
|--------------|-----|------------------------|----------|-------------------|
| P07          | 1   | Water proof plug M20   | 1        | φ 8~ φ 12mm cable |
|              | 2   | Vertical Mounting pole | 1        | φ 40~ φ 50mm pole |