

BC9309P LED Explosion Proof Light[Pole]

LOYALSHINE
KEEP LOYAL, KEEP SHINE!



IP
66

Ta
40/55

Ta
-50



Ex marking: Ex nR IIC T4/T3 Gc
Ex tb IIIC T130°C/T195°C Db

Application

- Ideal to be used in the oilfield, chemical industry, offshore drilling platform, steel industry, petroleum etc.



Characteristics

- Super power, maximum power up to 480W, can replace more than 1000W metal halide lamps and sodium lamps.
- Housing made of special aluminum processing, hardware and brackets adopt 304 stainless steel, using high-tech anti-corrosion surface treatment technology, can be long-term suitable for seaside, chlor-alkali, hydrogen sulfide and other highly corrosive areas.
- Superconducting aluminum comprehensive self-loop thermal design, long-term suitable for operating environment with high temperature and high humidity. Upper and lower ventilation fin structure, no dust.
- Variety of light distribution, variety of installation types, same shape, an effective solution to beautify workshop and device platform.
- It adopts Imported light source, no dark zone in light spot, no ghosting, can save 60% or more on energy than the metal halide lamp.
AC and DC wide voltage constant power supply, power factor above 0.98.
- It can quickly replace the light source without welding.
- Independent wiring chamber, safe and convenient for installation and maintenance.
- According to user needs, can choose light fixtures with a variety of intelligent control.

Main Specification

Item	Technical Parameters
Rated voltage (V)	100~277VAC
Rated frequency	50Hz / 60Hz
Light source	LED
Life time (h)	50,000
CRI	Ra 70 (80 optional)
CCT	5000K(3000K/4000K optional)
Leading-in cable diameter	φ 8mm~ φ 12mm
Dimension (mm)	602×300×250
Net Weight (kg)	11.2

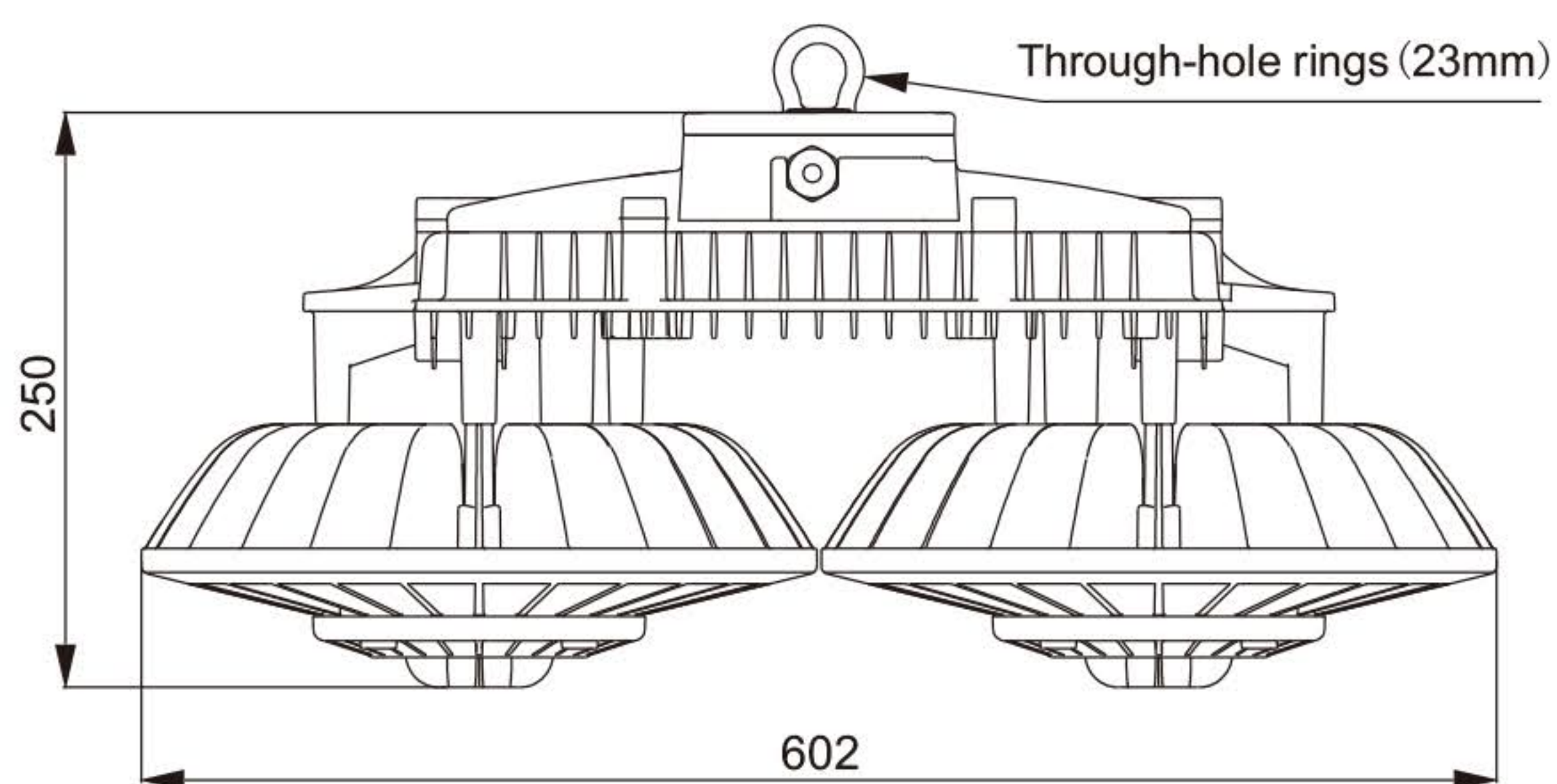
Ordering reference

Model Number	Picture	Rated wattage (W)	Light output (lm)	Space height ratio	Mounting height (m)	Light distribution Curve(1000cd/lm)	Equivalent to
							MH
BC9309P-L300-18°		300W	28800	0.4	25-45m		600W
BC9309P-L400-25°		400W	40600				1000W
BC9309P-L480-25°		480W	47400				> 1000W

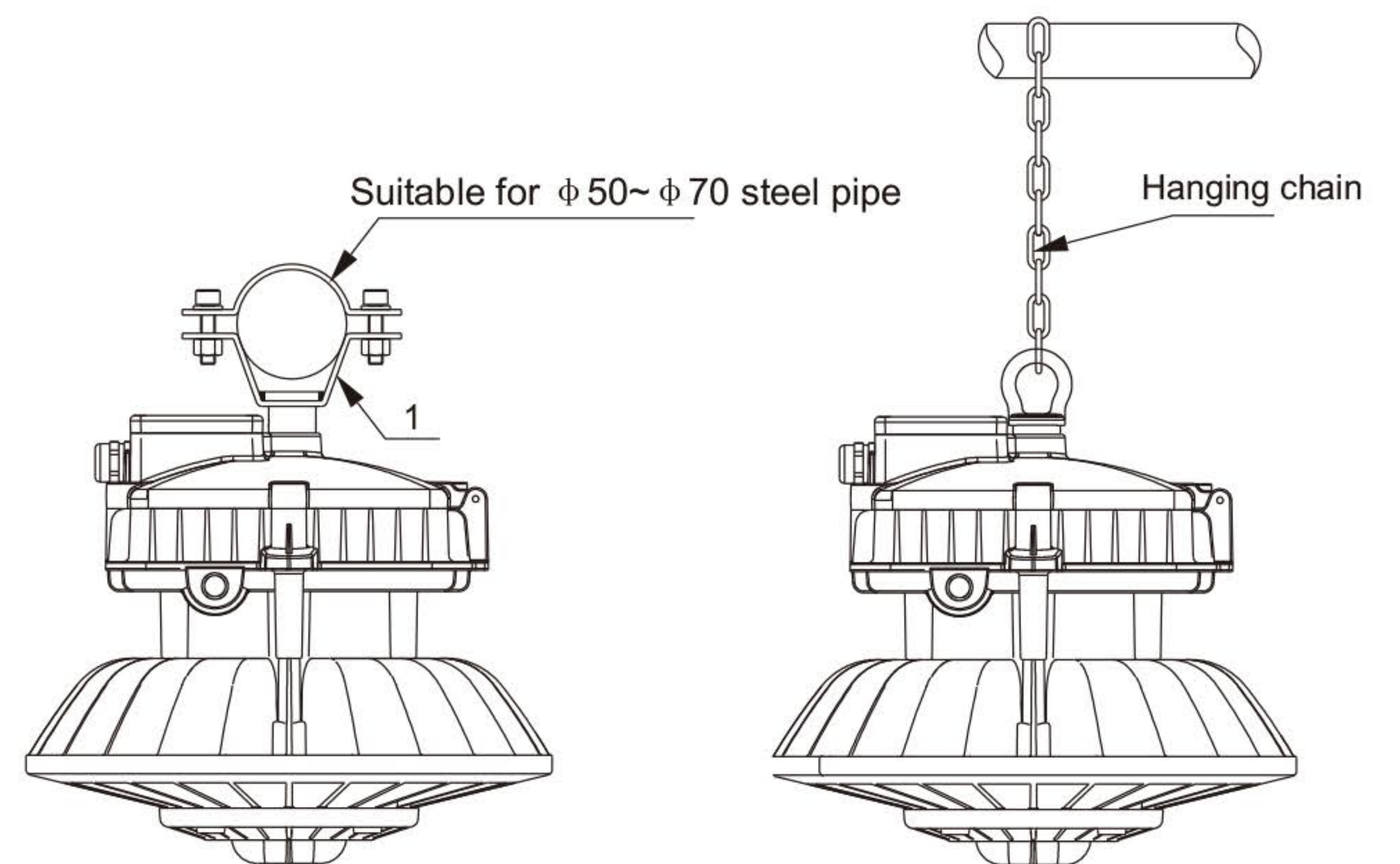
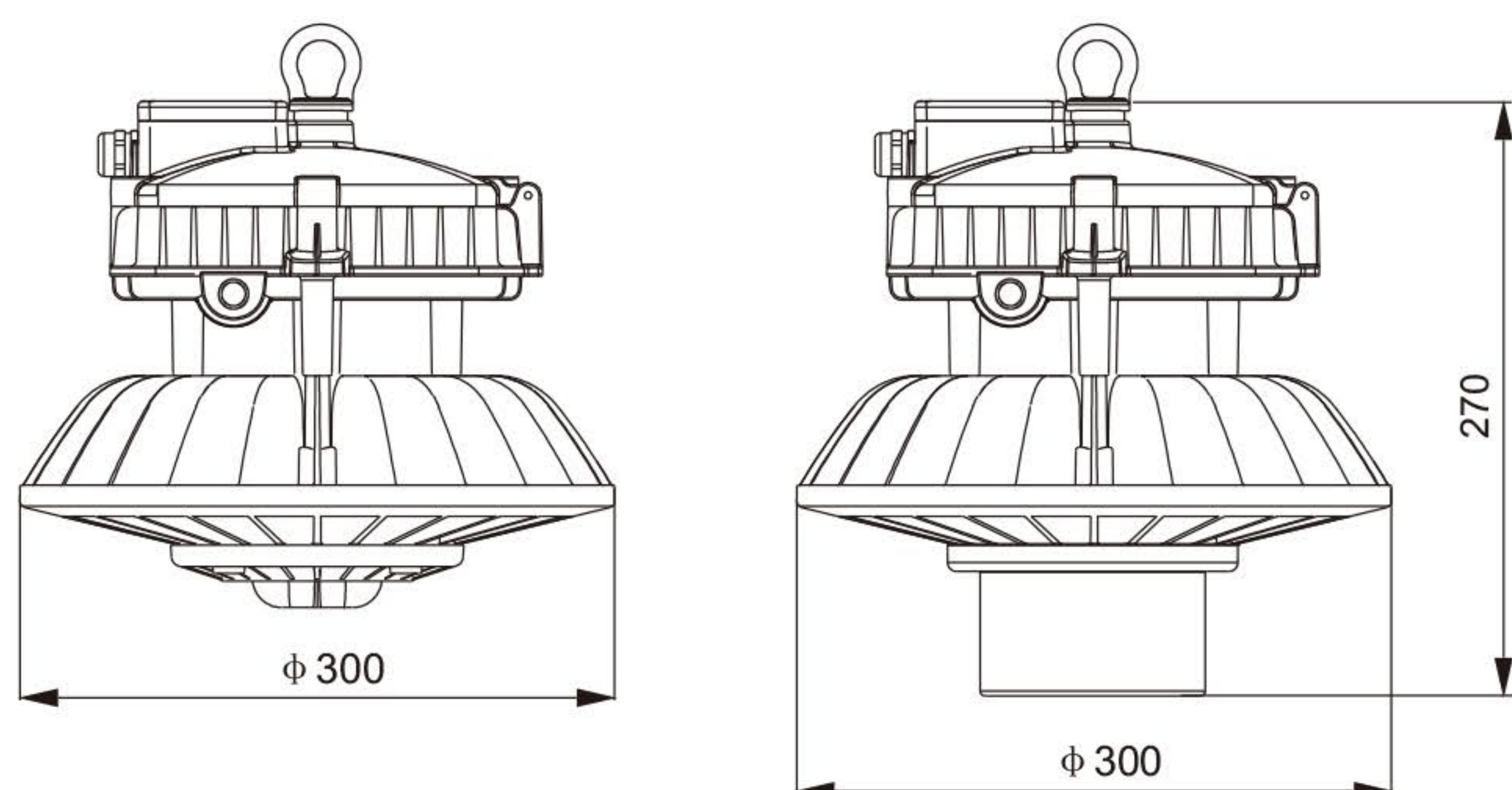
Ordering reference

Model Number	Picture	Rated wattage (W)	Light output (lm)	Space height ratio	Mounting height (m)	Light distribution Curve(1000cd/lm)	Equivalent to
							MH
BC9309P-L240-40°		240W	25800	0.7	15-30m		600W
BC9309P-L300-40°		300W	32800				1000W
BC9309P-L360-40°		360W	37800				> 1000W
BC9309P-L240-60°		240W	25500	0.9	15~30m		600W
BC9309P-L300-60°		300W	32400				1000W
BC9309P-L400-60°		400W	45200				> 1000W
BC9309P-L480-60°		480W	55300				/
BC9309P-L240-80°		240W	26000	1.35	15~30m		600W
BC9309P-L300-80°		300W	33100				1000W
BC9309P-L400-80°		400W	46200				> 1000W
BC9309P-L480-80°		480W	56500				/

Drawing of dimension (Dimensions in mm)



Ring mounting (Standard)



Hold hoop mounting

Hanging chain mounting

Accessories Ordering Information (optional)

Order number	No.	Specifications Model	Quantity	Remark
P14	1	Hold hoop bracket	1	Suitable for φ 50~ φ 70 steel pipe