

BC9309S LED Explosion Proof Light[Bracket]

LOYALSHINE
KEEP LOYAL, KEEP SHINE!



IP
66

Ta
40/55

Ta
-50



Ex marking: Ex nR IIC T4/T3 Gc
Ex tb IIIC T130°C/T195°C Db

Application

- Ideal to be used in the oilfield, chemical industry, offshore drilling platform, steel industry, petroleum etc.



Characteristics


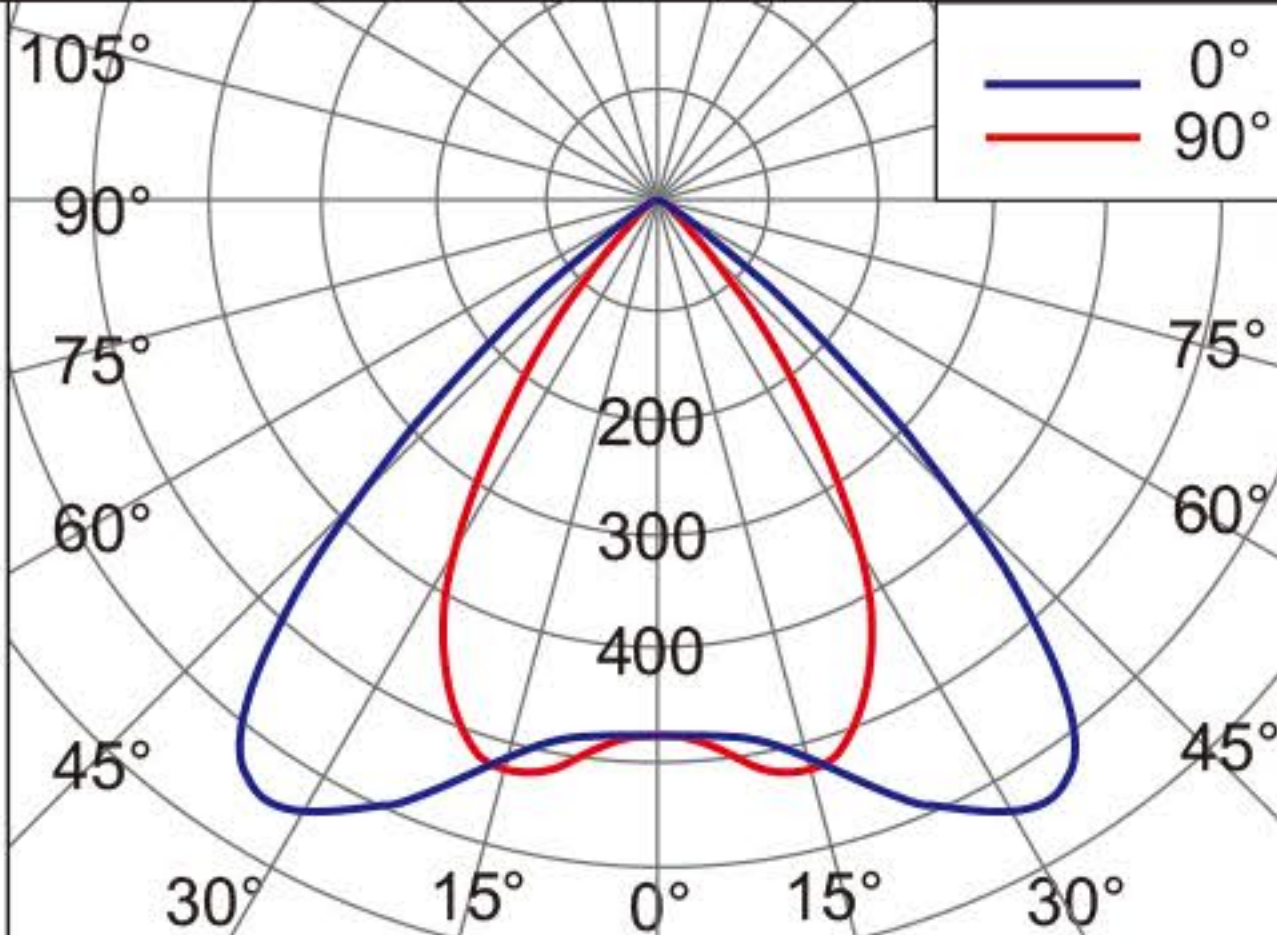
- Super power, maximum power up to 480W, can replace more than 1000W metal halide lamps and sodium lamps.
- Housing made of special aluminum processing, hardware and brackets adopt 304 stainless steel, using high-tech anti-corrosion surface treatment technology, can be long-term suitable for seaside, chlor-alkali, hydrogen sulfide and other highly corrosive areas.
- Superconducting aluminum comprehensive self-loop thermal design, long-term suitable for operating environment with high temperature and high humidity. Upper and lower ventilation fin structure, no dust.
- Variety of light distribution, variety of installation types, same shape, an effective solution to beautify workshop and device platform.
- It adopts Imported light source, no dark zone in light spot, no ghosting, can save 60% or more on energy than the metal halide lamp.
- AC and DC wide voltage constant power supply, power factor above 0.98.
- It can quickly replace the light source without welding.
- Independent wiring chamber, safe and convenient for installation and maintenance.
- According to user needs, can choose light fixtures with a variety of intelligent control.

Main Specification

Item	Technical Parameters
Rated voltage (V)	100~277VAC
Rated frequency	50Hz / 60Hz
Light source	LED
Life time (h)	50,000
CRI	Ra 70 (80 optional)
CCT	5000K(3000K/4000K optional)
Leading-in cable diameter	φ 8mm~ φ 12mm
Dimension (mm)	602×250×340
Net Weight (kg)	13

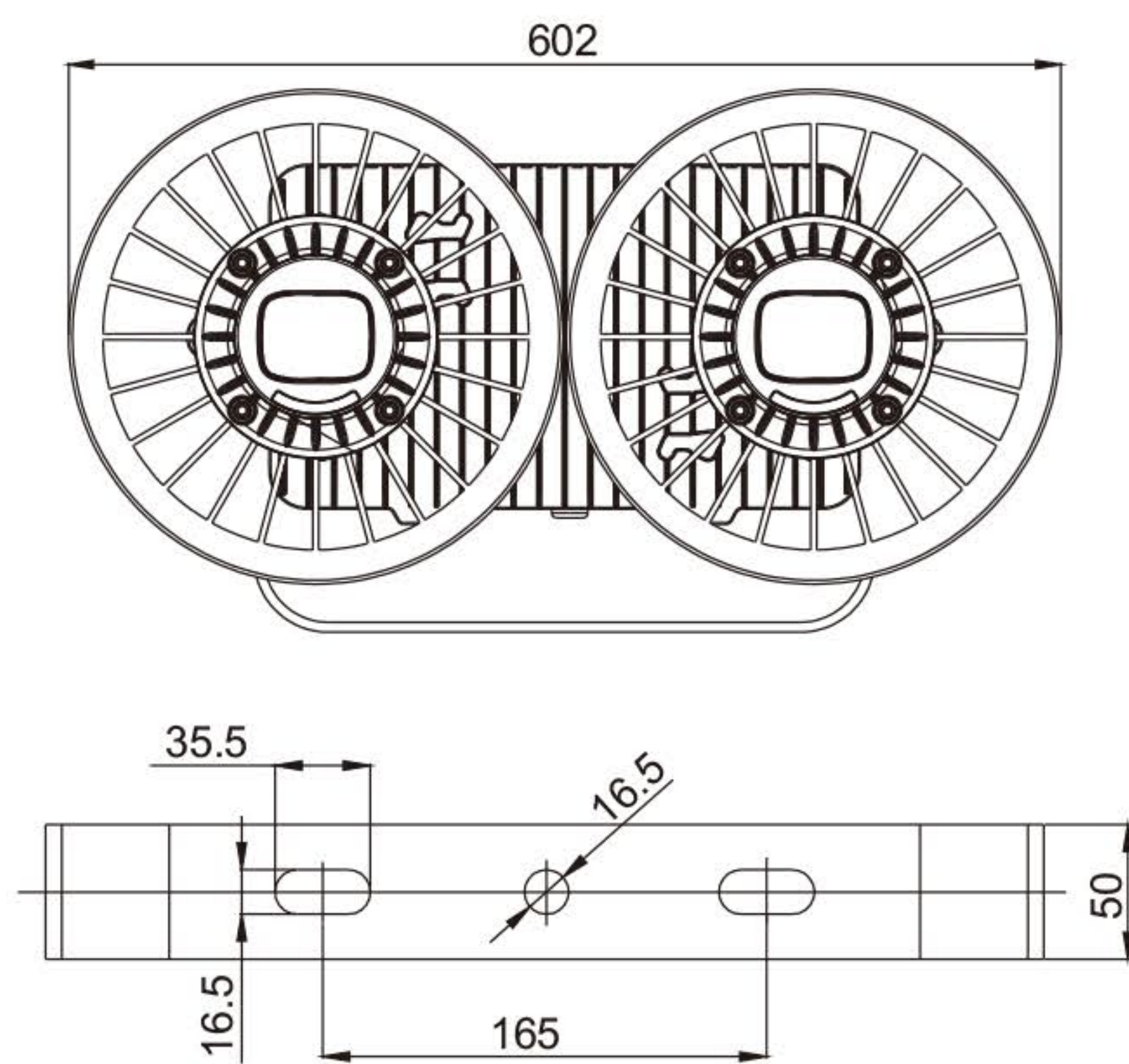
Ordering reference

Model Number	Picture	Rated wattage (W)	Light output (lm)	Space height ratio	Mounting height	Light distribution Curve(1000cd/lm)	Equivalent to
							MH
BC9309S□-L240-60°×80°		240W	27200	1.35	15~25m		600W
BC9309S□-L300-60°×80°		300W	34600				1000W
BC9309S□-L400-60°×80°		400W	46600				> 1000W
BC9309S□-L480-60°×80°		480W	53400				/

Model Number	Picture	Rated wattage (W)	Light output (lm)	Space height ratio	Mounting height (m)	Light distribution Curve(1000cd/lm)	Equivalent to
							MH
BC9309S□-L240-90°×110°		240W	25200	1.4	15~20m		600W
BC9309S□-L300-90°×110°		300W	32000				1000W
BC9309S□-L400-90°×110°		400W	44000				>1000W
BC9309S□-L480-90°×110°		480W	50600				/

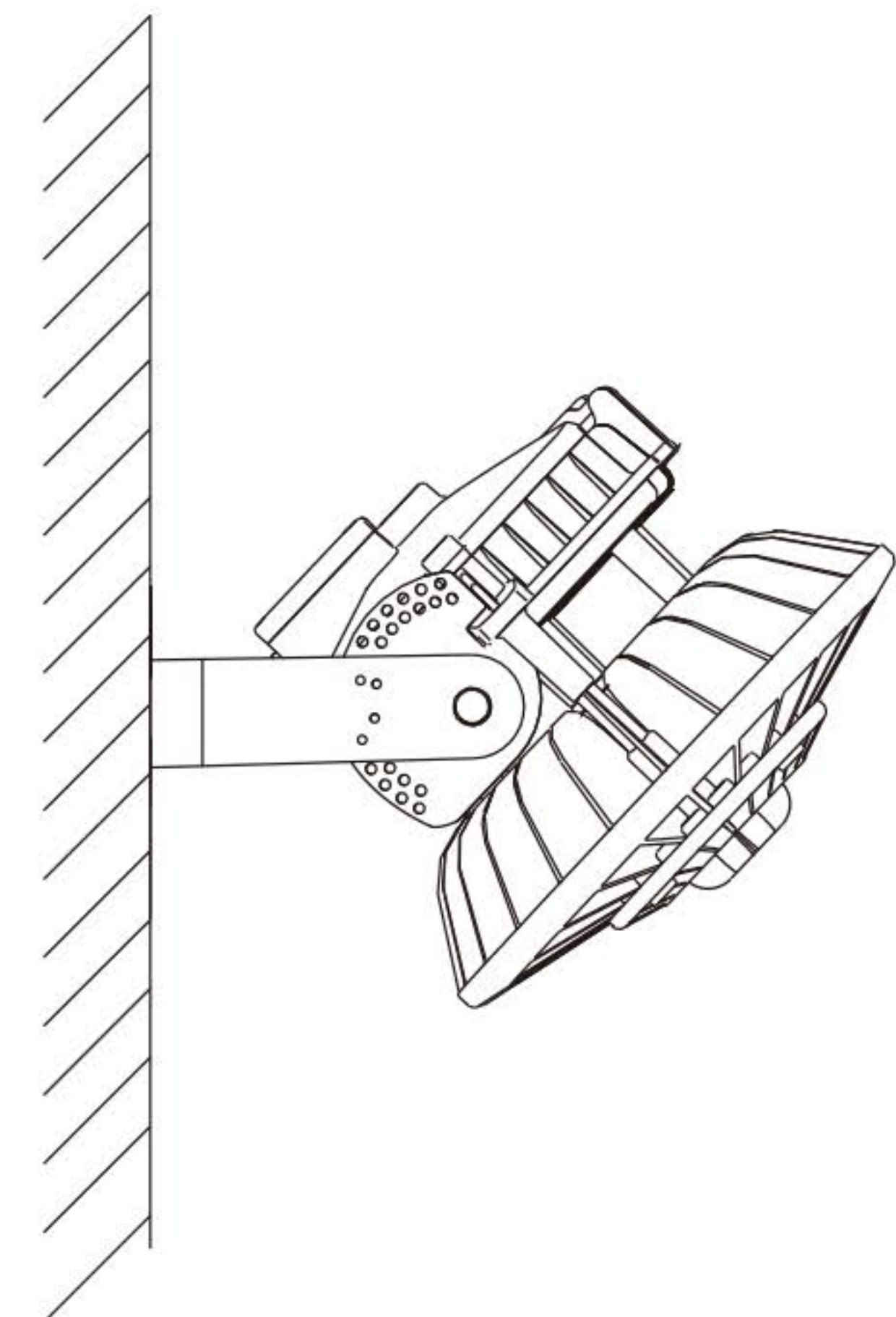
Note 1: the above model with light for the recommended distribution, but also according to the actual need to choose other light distribution.
Note 2: order number "□" according to the actual installation needs fill in 1 or 2, S1 straight stent, S2 angle bracket.

Drawing of dimension (Dimensions in mm)



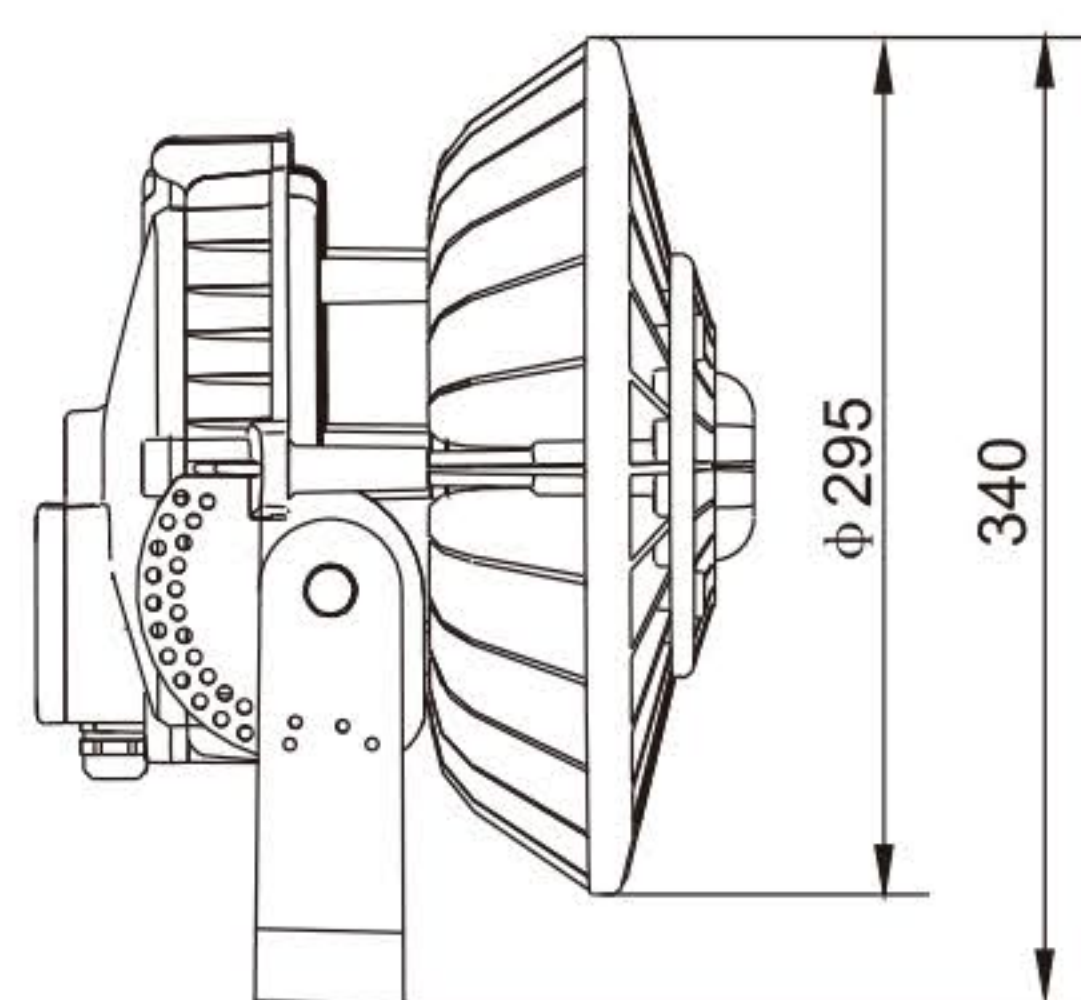
Installation Dimension

Side wall mounting



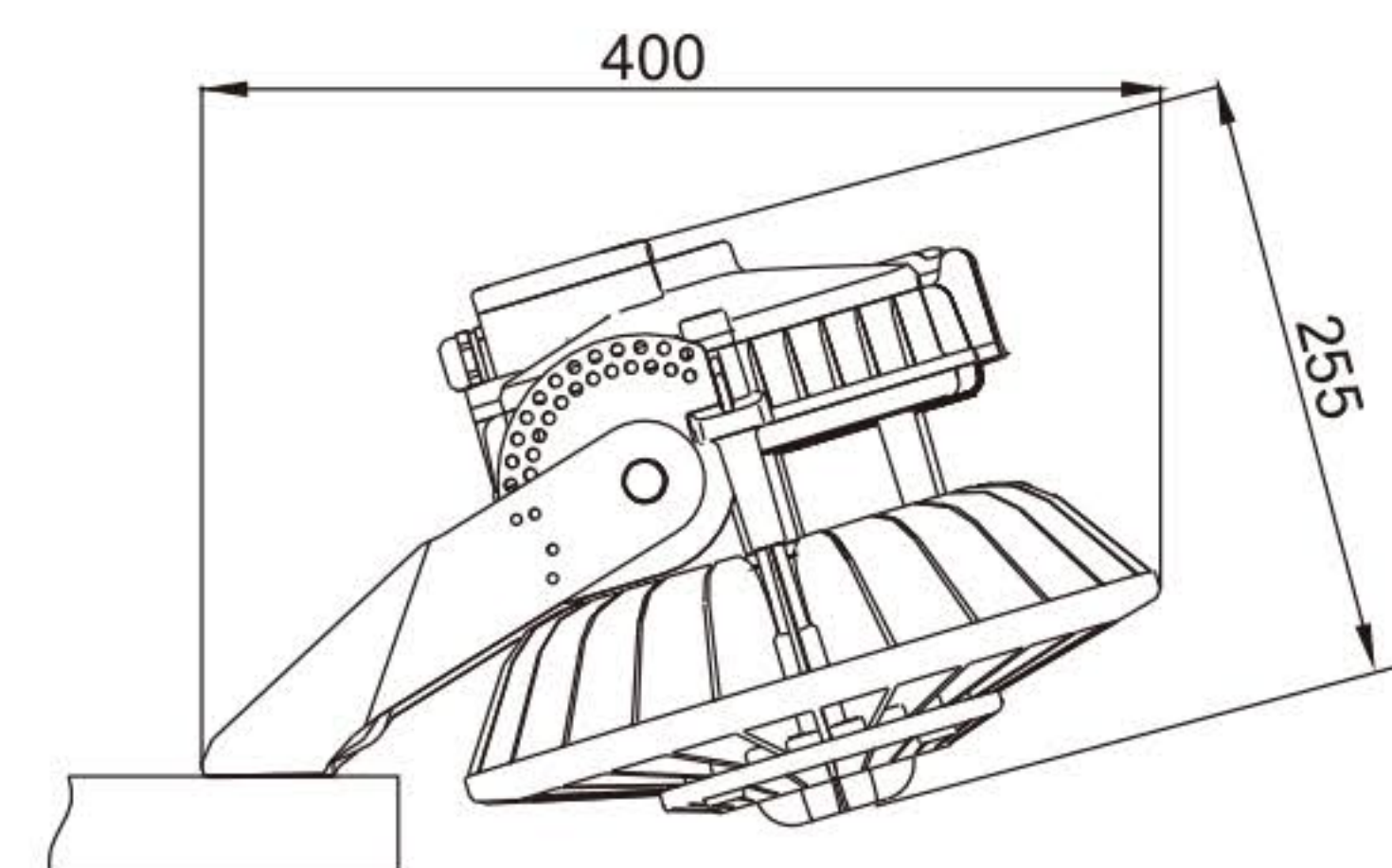
BC9309S1

Seat mountingS1



BC9309S1

Seat mountingS2



BC9309S2