

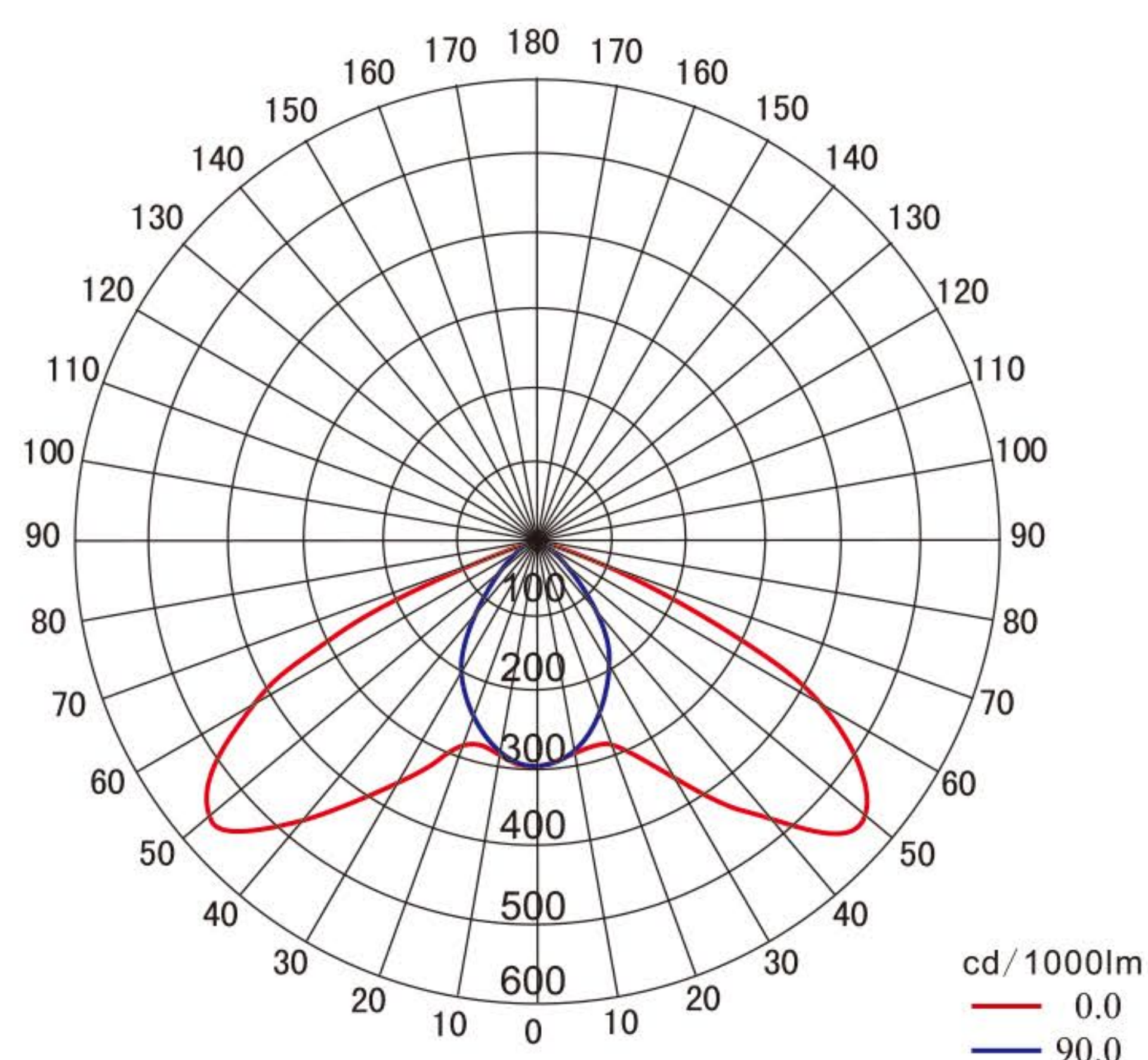
DGS10/127L[A] DGS24/127L[A] DGS35/127L[A] DGS48/127L[A] LED Explosion-proof Mining Tunnel Light

LOYALS HINE
KEEP LOYAL, KEEP SHINE!



Ex marking: Ex d I Mb

Light distribution curve



Application

- Approved for safe use in the explosive environment under the coal mine where the methane and the explosive dust exist.
- It is the idea lighting solution for the underground tunnel in the underground chamber in the mining field.

Characteristics

- Its reflector is specially designed for the tunnel. At the height of 3.5meters, 24W can reach 35Lux, 48W can reach 80Lux. The Light distribution distance is more than 15meters. It can save 65% on energy than the metal halide lamp.
- It adopts American CREE LED as light source, service life reach 100,000 hours
- Equipment with world famous brand electrical appliance, has a highly stable performance.
- The LED is seamless connected to the heat sink, which help to heat dissipating, ensured the LED'S life span.
- Supplied with stainless chain which have hooks on the end and the chain's length is adjustable.
- The anti corrosion, abrasion proof, power coated cover which is dust proof, water proof , make the lamp an excellent option for all kinds of high stress environment.

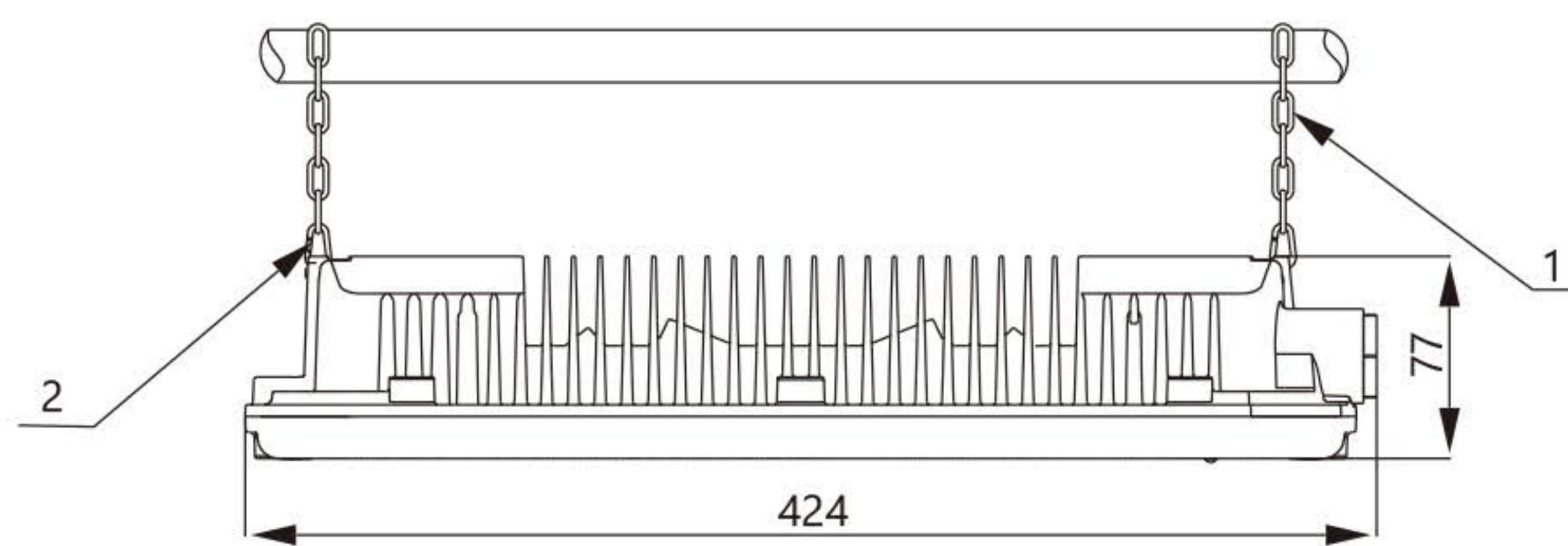
Main Specification

Item	Technical Parameters
Input voltage (V)	90-264VAC
Rated frequency	50Hz / 60Hz
Light source	LED
Life time (h)	100,000
CRI (Ra)	75
CCT	4250K ±250K
Cable entry	G3/4"
Leading-in cable diameter	φ 9mm~ φ 14mm
Dimension (mm)	424×177×77
Net weight (kg)	4.1

Ordering Reference

Model number	Rated wattage (W)	Light output (lm)	Space height ratio	Mounting height (m)	Equivalent to
					MH
DGS10/127L(A)	10W	950	2.4	3~6m	/
DGS24/127L(A)	24W	2000			70W
DGS35/127L(A)	35W	3200			100W
DGS48/127L(A)	48W	3900			100W~150W

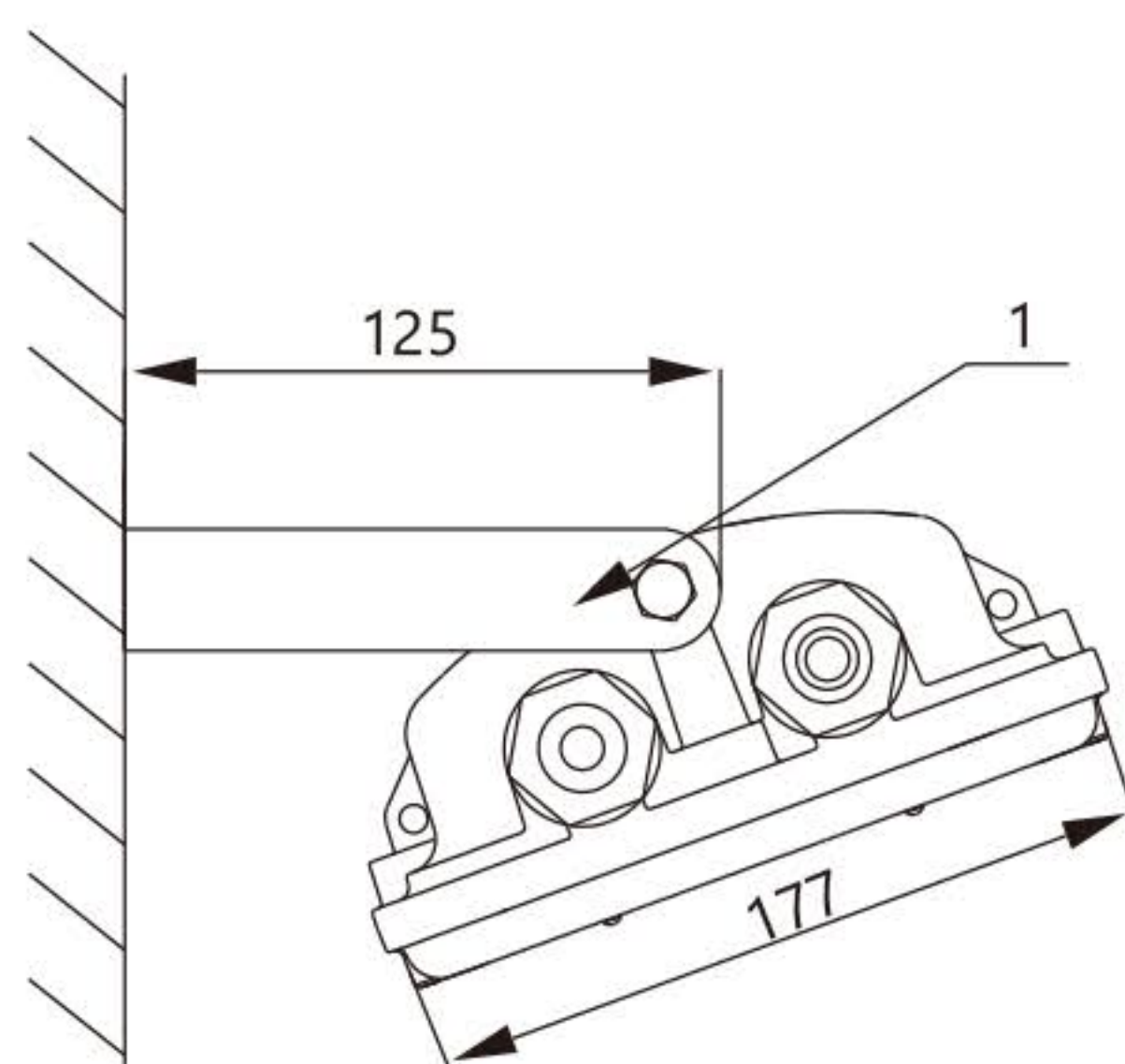
Drawing of dimension (Dimensions in mm)



Chain type mounting(standard)

Accessories order information(Chain type mounting)

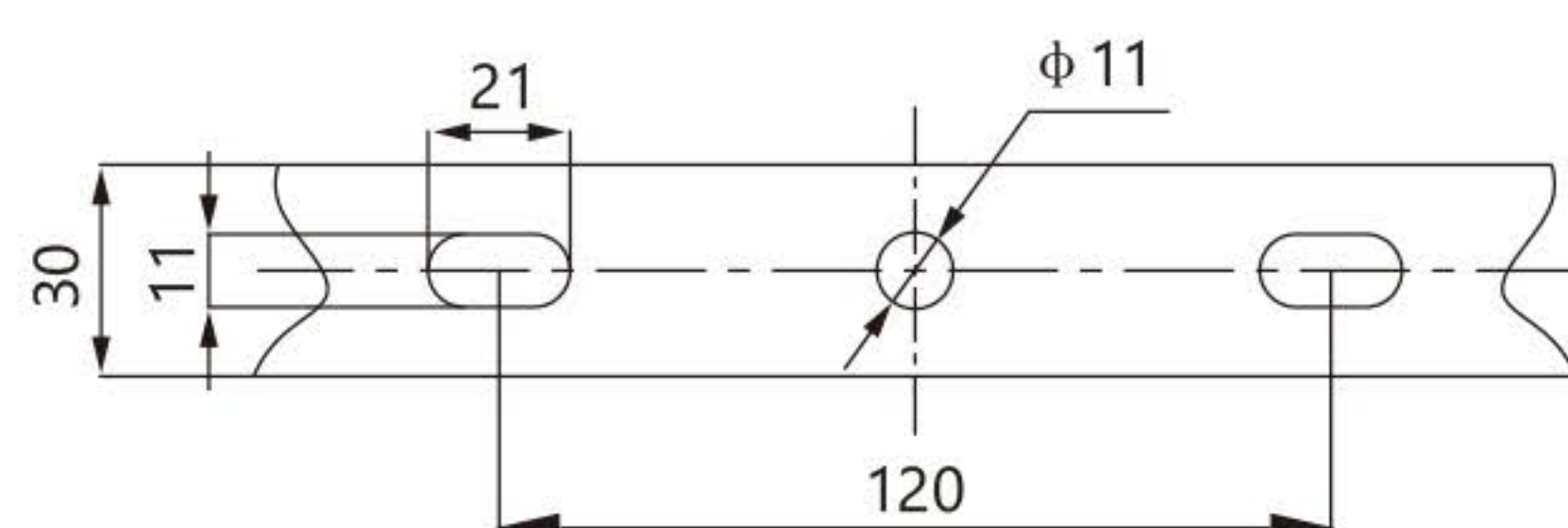
Order number	No.	Specification	quantity
P010	1	chain	2
	2	Self locking hook	4



Side wall mounting (optional)

Accessories order information(side wall mounting)

Order number	No.	Specification	quantity
P011	1	bracket	1



Installation dimension